

Table of Contents

	<u>Page</u>		
		100C6ULP-OFS	28
		100C6-DMP	29
		100C6LP-OFS-DC-ER1.5	30
Installation instructions	2-4	100C6LP	31
Froet Drain® Roof Drain	5	100C6LP-FR-DC-DEX6-DEX2	32
100C2LP-OFS	6	100C6-OFS-IG-FR-DC	33
100C2-OFS	7	100C6-CFW	34
3" Overall Dimensions	8	100C6-VP	35
100C3ULP-OFS	9	100C8	36
100C3-OFS	10	100C8LP	37
100C3LP-DEX-2	11	100C8-OFS	38
100C3LP-OFS-DC-ER-2	12	100C8LP-OFS	39
100C3-CFW	13	100C8LP-OFS-DC	40
4" Overall Dimensions	14	200C3 Standard drain	41
100C4ULP-OFS	15	200C4 Standard drain	42
100C4LP-OFS	16	200C5 Standard drain	43
100C4LP-OFSLP-DEX2-DC	17	200C6 Standard drain	44
100C4LP-DMP	18	200C(5,6,8,) LD Standard drain	45
100C4-LP-OFS-DEX4-DEX6-FR-DC	19	S/S Green Roof Box	46
100C4LP-FSRC	20	HDPE Adjustable GRB	47
100C4-DEX-4-IG	21	Green roof/ Patio	48
100C4LP-DEX-6-FR-OFS	22	Planter	49
100C4-VP	23	Downspout nozzle	50
5" Overall Dimensions	24	Product Information & Design Criteria	51-54
100C5LP-OFS	25	General Terms and Conditions	55-56
6" Overall Dimensions	26		
100C6-OFS with Dimensions	27		

Disclaimer:

Seller warrants that the Froet Drain® roof drain will be of the kind and quality described in the order and product literature and will be free of defects in workmanship or material. However, Seller does not warrant the application and use of the drain based upon the structural design and installation on a particular project. Careful consideration must be placed on the actual design of the structure when determining the burden of the overflow water.

06/01/17

Froet Drain® Roof Drain

The patented Froet Drain® is an innovative drain product created to solve the dual drain requirement for overflow protection. With both functions designed into one drain it greatly simplifies the roof drainage design. Our drain is designed in such a way that it can more efficiently remove rainwater from roofs than standard drains. The design process started with the goal to design the most advanced roof drainage system. We have strived to create a product to satisfy the specific needs and requirements of both the architect and engineers in one unit. Our design incorporates the following features:

- ◆ Superior powder coated finish
- ◆ Patented sump design
- ◆ Corrosion-resistant fasteners (pre-applied anti-seize to drain ring bolts)
- ◆ Increased clamping ring surface
- ◆ Taller gravel retention
- ◆ Aesthetically pleasing design
- ◆ Meets multiple design requirements

Froet Drain® Roof Drain Part Description

Standard Supplies a 5" high primary strainer with a 6" high overflow inlet

- LP Low Profile**-This option supplies a 3" high primary strainer with a 4" high overflow inlet
- ADC Alpha Deck Clamp**- Low cost deck clamp 2 piece universal fit to all drains
- DC Deck Clamp**- A round L shaped clamp to hold the drain body in place for the 3,4,5, & 6 inch drains. The deck clamp for the 8 inch drain is a two piece straight L shaped clamp.
- DEX Drain Extension**-Is offered in heights of 2",4"& 6". Incorporated in this option will be the correct size over flow pipe and sealing gasket for body to ext joint. Attachment bolts need to be torqued to 33Ft.Lbs. The drain extensions can be installed in multiple configurations to adapt to any need (reference pg. 11).
- DP Drain Pan**-A flat pan 18" X 18" for 2" drain. Formed 30" X 30" X 14 gauge plate for the 3"& 4" to mount drains flush. 5 & 6 inch pans are flat (Finishing ring supplied with 5" & 6" drain pan only) formed pan coming soon for 5 & 6inch drains. The 8 inch drain pan is 35 1/2" X 35 1/2'X 1/8"
- SP Sump Pan**-1 1/2" deep 29 3/4" X 33 3/4" ,14 gauge galvanized steel sump pan 3' wide flange, 24" X 28 1/2" sump area (requires field cutting to install drain) Please note: This pan is not large enough for the 8" drain.
- DMP Deck Mounting Plate**-A flat 18" X 18" pan for 2" drain. 30"X 30" X 14 Gauge plate that allows the drain to be bolted directly to it which eliminates the need for the deck clamp. This part can only be used if there is a **minimum of 2 1/2" of insulation on the roof deck.** The 8 inch deck mounting plate is 35 1/2" X 35 1/2'X 1/8" **and requires minimum of 3" of insulation.**
- FR Finishing Ring**-A recessed ring to allow the drain body to be installed in a flush configuration, either directly to the deck or into the drain pan. Offered for the 3,4,5 & 6 inch drains only.
- OFS Overflow Strainer**- Debris strainer to be used on the overflow pipe. This part also incorporates a set screw to provide vandal proofing.
- OFSL Overflow Strainer Low Profile**- **3" and 4" drains only** Debris strainer for overflow pipe that is smaller and does not flow as well as the standard OFS for use in planters or patio applications.
- VP Vent Pipe**-12" extension above the primary drain strainer is to be used as a plumbing vent pipe when the overflow drain is not needed.
- CFW Control Flow Weir**-can be configured on the jobsite for the required amount of flow. The weir is produced with one open weir, additional weirs can be opened with a metal cutting saw to provide the design flow. The weir can also be removed from the drain without breaking the roofing seal to facilitate cleaning of the drain.
- IG IRMA Roof Guard**-Perforated stainless steel guard used with IRMA roofing systems, supplied 6" high **DO NOT USE WITH CONVENTIONAL ROOF DESIGN . REQUIRES 3 TIMES THE FREE AREA OF STRAINER TO FLOW SAME GPM**

continued

Part Description continued

ER	Elevation Rings -A elevated base to elevate the 3", 4", 5", or 6" drain for use with 1.5" or 2" insulation so that the top of the drain ring is level with the insulation to prevent ponding can be used with or without the drain pans.
VPS	Vandal Protection -for the standard primary drains
WD	Water Dam - 2" high overflow water dam for the 200 series drains.
GRB	Green Roof Box - Square Stainless Steel perforated or round HDPE perforated enclosures
LPS	Low Profile Spout - Froet Chameleon Downspout Nozzle available in many standard colors

Ordering definition

Style Breakdown: 100C4

100	Series	C	Cast Iron	4	Outlet size
<u>Drain Style</u>		<u>Profile</u>		<u>Extensions</u>	<u>Additional options</u>
100C6				Dex-2	DC
100C4		LP		Dex-4-Dex-2	FR-DC-OFS

The above product numbers designates the following:

6" Bi-functional roof drain standard profile strainer, 2" extension, deck clamp

4" Bi-functional roof drain with low profile strainer, 4" and 2" extension, finishing ring, deck clamp and overflow strainer.

Installation Information

The installation of the Froet Drain® roof drain installs much the same as a standard roof drain. All of the accessories are like that of a standard drain. The following are useful points to aid in installation of our drain.

Keep in mind the orientation of the primary outlet so it is pointed in the easiest direction for the piping.

There is 3.5" from bottom of sump flange to the top of primary outlet on the 4" drain this will allow for the drain to be elevated 1-1/2" if you are using it with 1-1/2" metal deck. Or to clear larger structural supports around underside of the drain sump area. In some cases the primary outlet may need to be orientated to the corner of the structural framing to provide clearance of the primary outlet plumbing.

The drain can be totally assembled and clamped to drain pan and then installed in deck opening if desired.

If using extensions and supporting the drain from that extension, install finishing ring on extension before installation to sump.

If you are using extensions to add height to the drain for thick insulation and are supporting drain from the sump you will not need finishing ring for the extension.

- Install gasket between sump and extension and tighten evenly.
- Outlet in bottom of sump is the overflow outlet.
- Outlet in side of sump is the primary outlet.
- The flat drain pan includes the finishing ring when ordered.
- The finishing ring is recessed to allow the drain to be installed flush with the flat drain pan.
- The sumped pan needs to be field cut for installation of drain.
- The under deck clamp is C shaped to clear the primary outlet.
- Donut seal must be installed at bottom of sump and overflow riser pipe (supplied) for proper operation of drain.
- Drain needs to be installed per all local and state codes.
- Protect drain from damage and from construction debris entering drainage system.
- Inspect drain at end of construction process to verify drains remain unobstructed.

There are pictures of installed projects on our website on the news and update page and drawings of different drain configurations and installations (example page 4) on our spec & drawings page to aid in installation. www.froetindustries.com

There are nine installation options for the drain and are as follows:

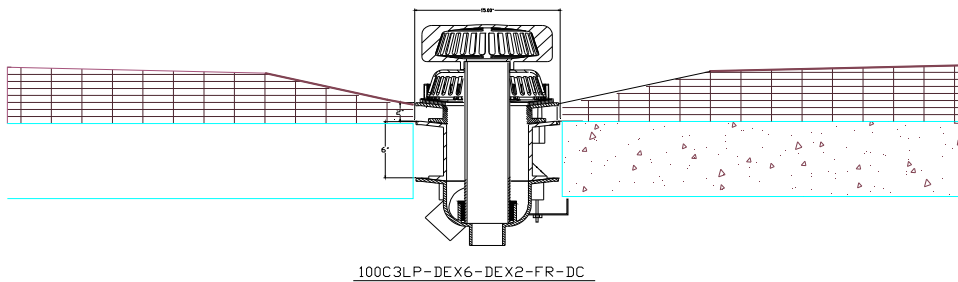
- ◆ Poured in place (concrete deck)
- ◆ Set directly on deck 13" hole for 3" & 4" drain, 16" hole for 5" & 6" drain and 22 3/4" for 8" drain (any deck excluding thick concrete)
- ◆ Set flush in finishing ring and finishing ring set on deck 15" hole for 3" & 4" & 19" hole for 5" & 6" (any deck)
- ◆ Set flush in finishing ring and deck plate in 27" X 27" hole in deck for 3", 4", 5" & 6" (any deck)
- ◆ Set on deck plate in 31 1/2" X 31 1/2" hole in deck for 8" (any deck)
- ◆ Set in sumped pan 27" X 24" hole in deck 3", 4", 5" & 6" (any Deck)
- ◆ Bolted to DMP-3/4 or 5/6 pan 27" X 27" hole in deck (any deck) eliminates deck clamp for 3", 4", 5" & 6"
Must have a minimum of 2 1/2" of insulation on deck at drain
- ◆ Set on Elevation Ring when roofing system has 1.5' or 2" insulation at drain with 3", 4", 5", 6" and 8" (any Deck)
- ◆ Bolted to DMP-8 pan 31 1/2" X 31 1/2" hole in deck (any deck excluding thick concrete)
eliminates deck clamp for 8" **Must have a minimum of 3" of insulation on deck at drain**

PLEASE NOTE:

- A. All DP's, DMP's and SP's must be fastened securely to deck or structural components to prevent fall hazard.
- B. Deck must be properly supported to receive roof drain
- C. The overflow system will be sized at a minimum, equal to the primary system.
- D. Coordinated with the structural design to withstand the operating load of the primary and/or secondary drainage systems.
- E. This drain outlet is not intended to be connected to the plumbing vent.

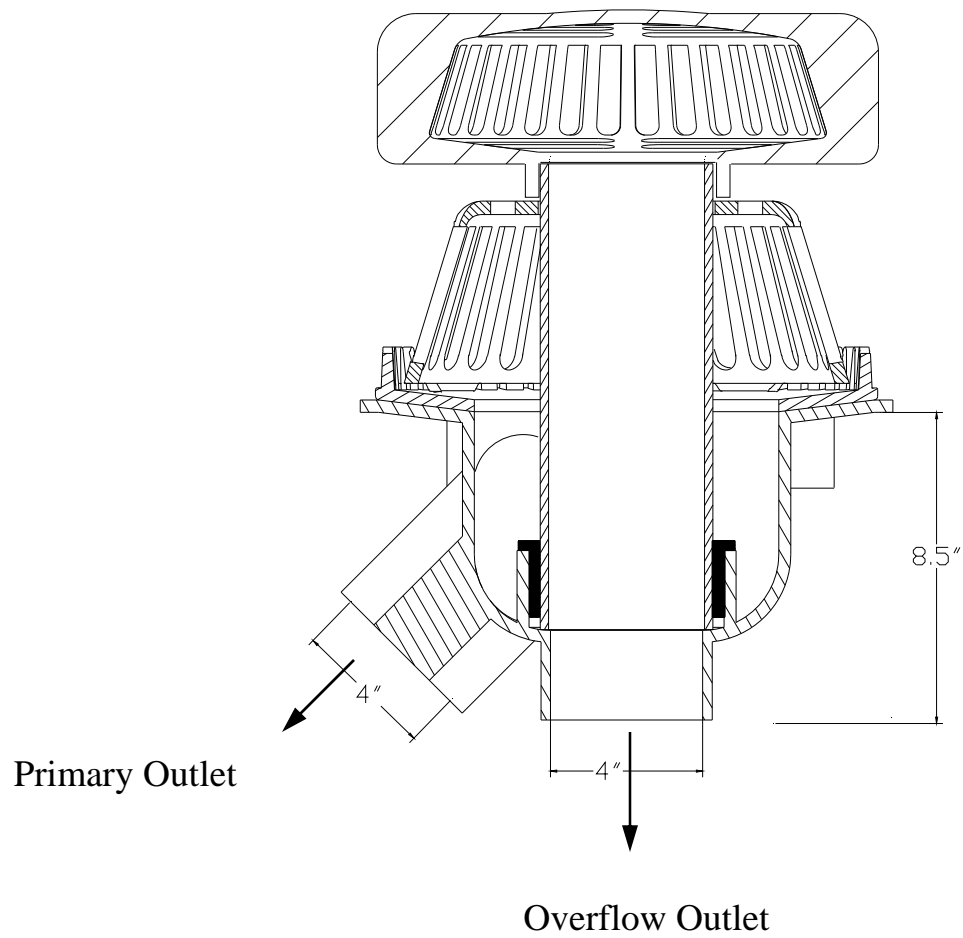
Froet Drain Strainer Free Area					
Drain size	IPC free area requirement in. ²	ASME A112.6.4-2003 free area in. ²	Froet Drain 3" high primary strainer free area in. ²	Froet Drain 5" high primary strainer free area in. ²	Froet Drain secondary strainer free area in. ²
2"	4.71	18	30	48	73
3"	10.59	25	62	90	105
4"	18.84	36	62	90	105
5"	28.87	50	95	127	146
6"	43.31	70	95	127	146
8"	75.36	NA	163	203	200

The following picture is an example of a roof sump. There is no right or wrong way to do one but the object is to get the roof drain recessed below the main roof surface.



Froet Drain® Roof Drain's Innovative design

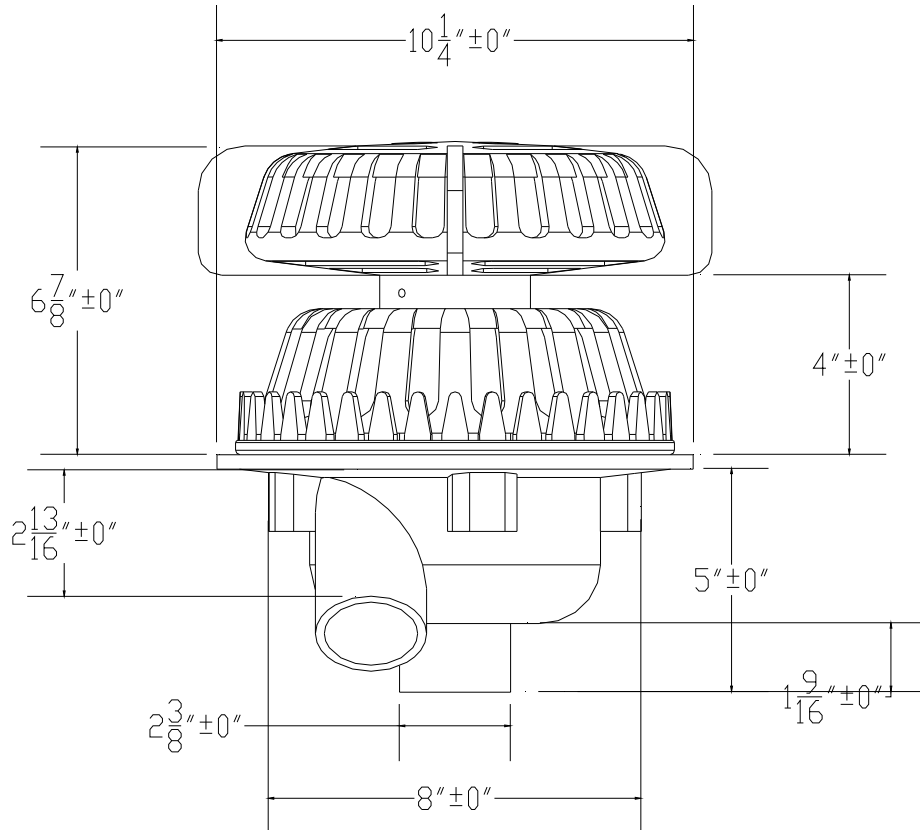
The primary outlet is attached to the storm sewer or to an outlet at grade. The overflow connection is attached to a relieve area outside of the building separate from the primary system. Check your local building code for proper attachments.



Froet Drain® Bi-Functional Roof Drain 100C2

Patent #US6594966

100C2LP-OFS



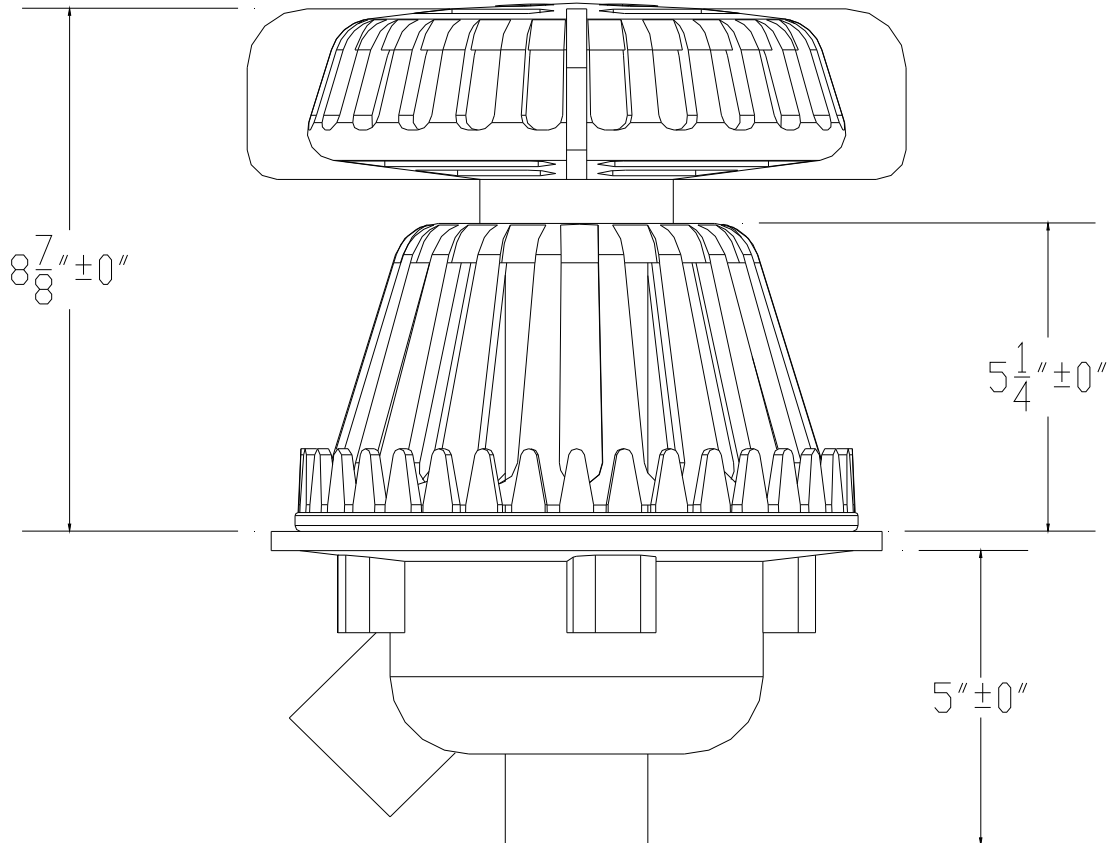
OFS	Overflow Strainer	DP	Drain Pan
DC	Deck Clamp	DMP	Deck Mounting Plate
ADC	Alternate Deck Clamp		

Specifications subject to change without notice

Froet Drain® Bi-Functional Roof Drain 100C2

Patent #US6594966

100C2-OFS



OFS	Overflow Strainer	DP	Drain Pan
DC	Deck Clamp	DMP	Deck Mounting Plate
ADC	Alternate Deck Clamp		

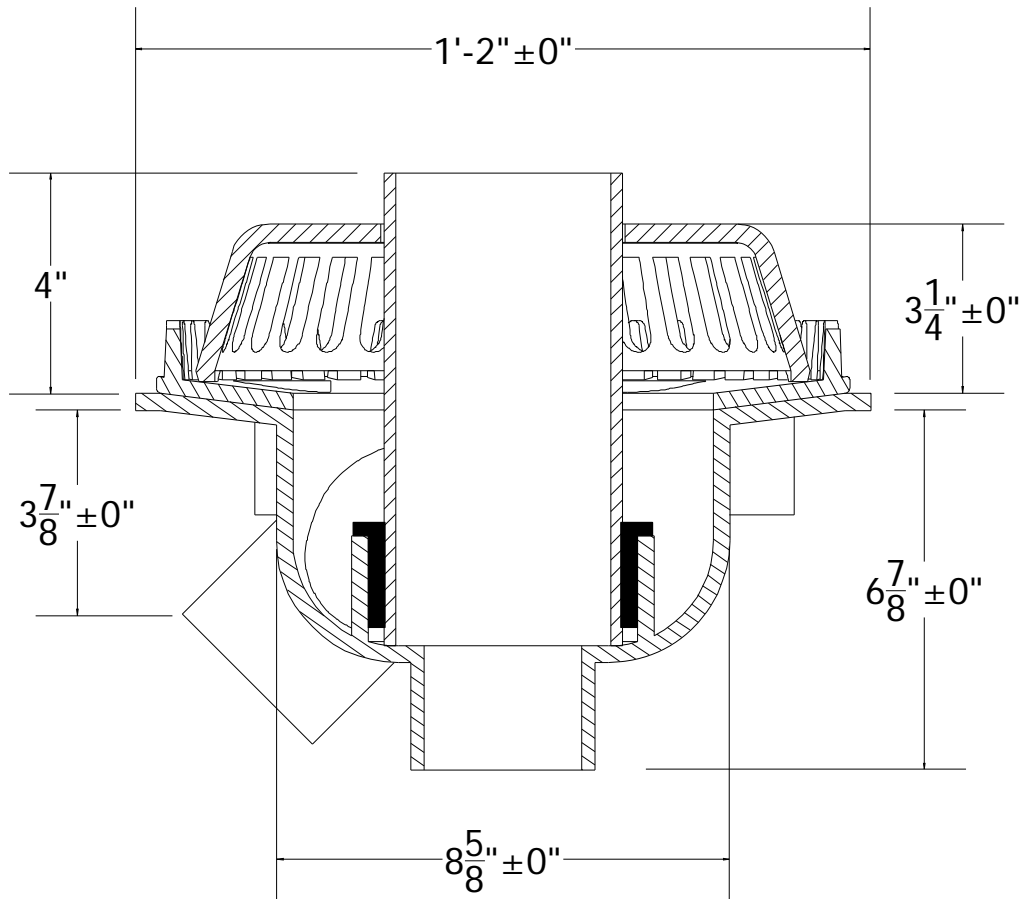
Specifications subject to change without notice

Froet Industries LLC - P.O. Box 787 -1741 Industrial Drive-Sterling, Illinois 61081 - ph.815.626.7922 fx.815.626.0702
www.froetindustries.com

Froet Drain® Bi-Functional Roof Drain 100C3

Patent #US6594966

3" LP Overall Dimensions

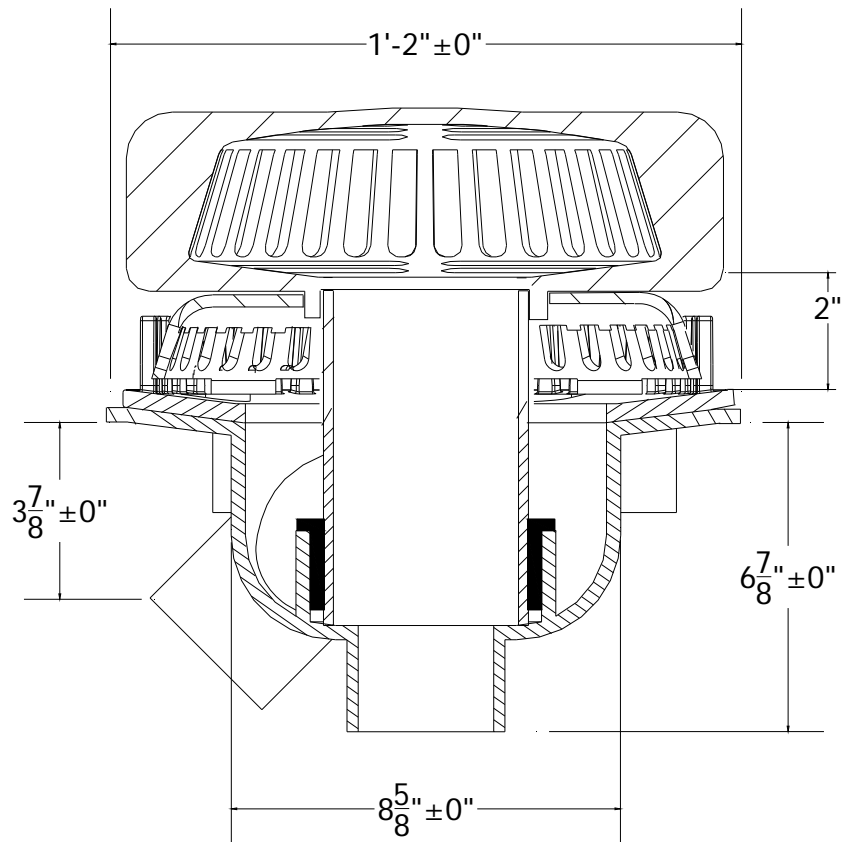


Specifications subject to change without notice

Froet Drain® Bi-Functional Roof Drain 100C3

Patent #US6594966

100C3ULP-OFS



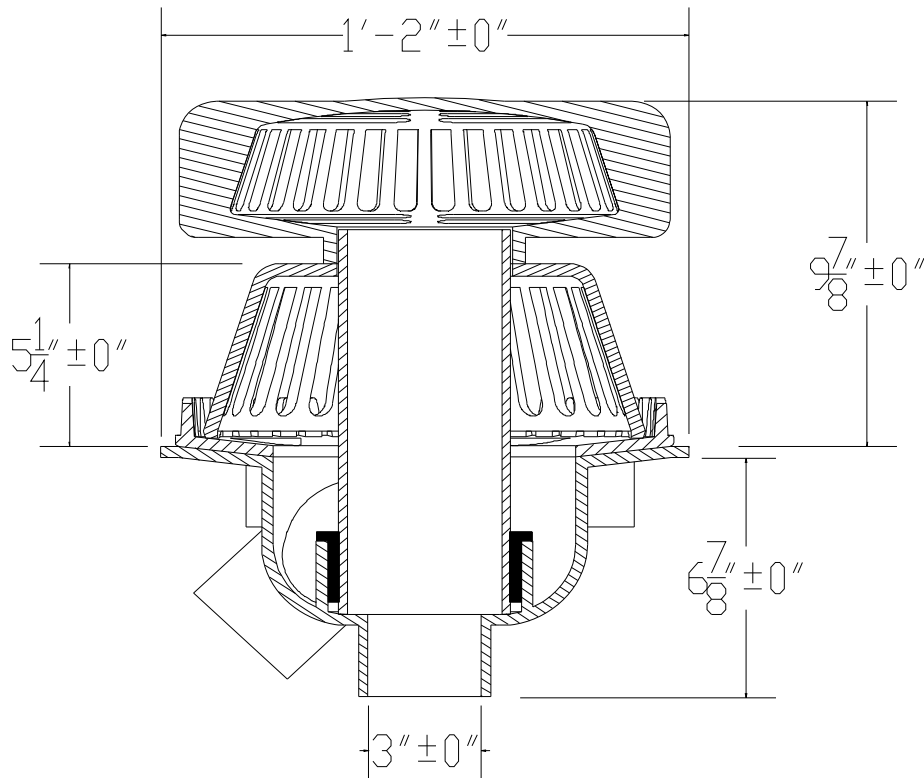
ULP	Ultra Low Profile	OFSL	Overflow Strainer Low Profile
LP	Low Profile	ER 1.5	Elevation Ring for 1-1/2" Insulation
DC	Deck Clamp	ER 2	Elevation Ring for 2" Insulation
ADC	Alternate Deck Clamp	IG	IRMA Roof Guard
DP	Drain Pan	DEX-2	2" Ring Extension
SP	Sump Drain Pan	DEX-4	4" Ring Extension
DMP	Deck Mounting Plate	DEX-6	6" Ring Extension
FR	Finishing Ring	CFW	Control Flow Weir
OFS	Overflow Strainer	VP	Vent Pipe

Specifications subject to change without notice

Froet Drain® Bi-Functional Roof Drain 100C3

Patent #US6594966

100C3-OFS



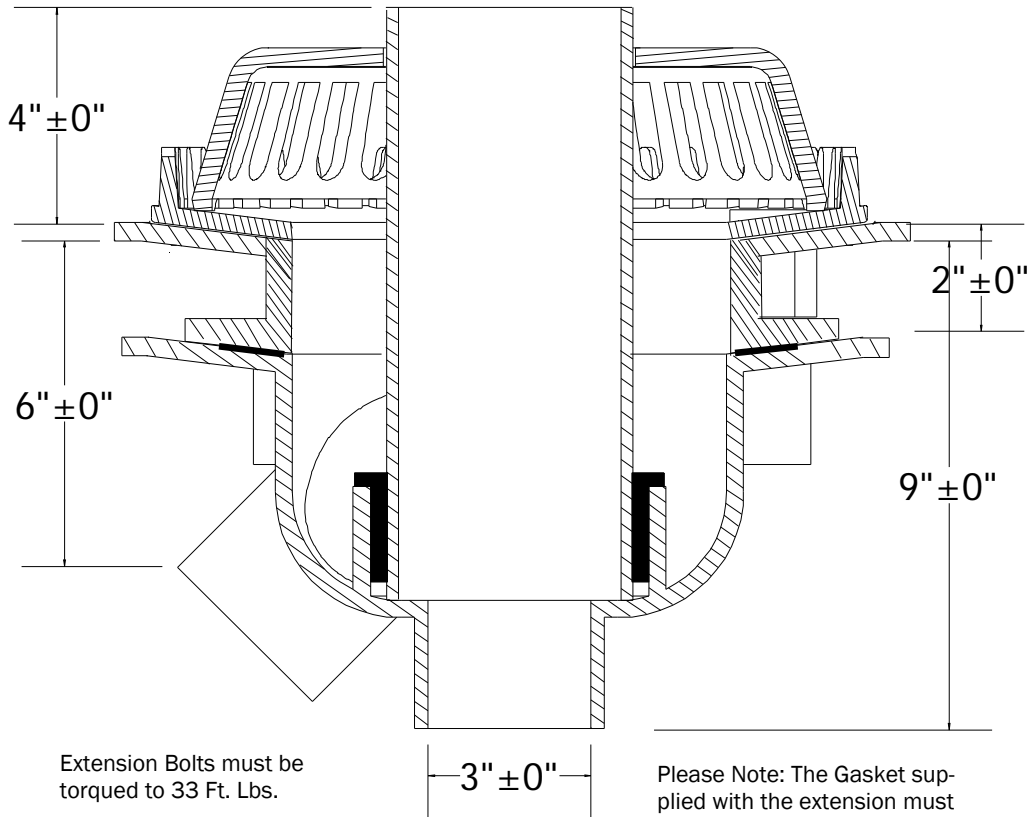
ULP	Ultra Low Profile	OFSL	Overflow Strainer Low Profile
LP	Low Profile	ER 1.5	Elevation Ring for 1-1/2" Insulation
DC	Deck Clamp	ER 2	Elevation Ring for 2" Insulation
ADC	Alternate Deck Clamp	IG	IRMA Roof Guard
DP	Drain Pan	DEX-2	2" Ring Extension
SP	Sump Drain Pan	DEX-4	4" Ring Extension
DMP	Deck Mounting Plate	DEX-6	6" Ring Extension
FR	Finishing Ring	CFW	Control Flow Weir
OFS	Overflow Strainer	VP	Vent Pipe

Specifications subject to change without notice

Froet Drain® Bi-Functional Roof Drain 100C3

Patent #US6594966

100C3LP-DEX-2



Extension Bolts must be torqued to 33 Ft. Lbs.

Please Note: The Gasket supplied with the extension must be installed to provide water-tight installation.

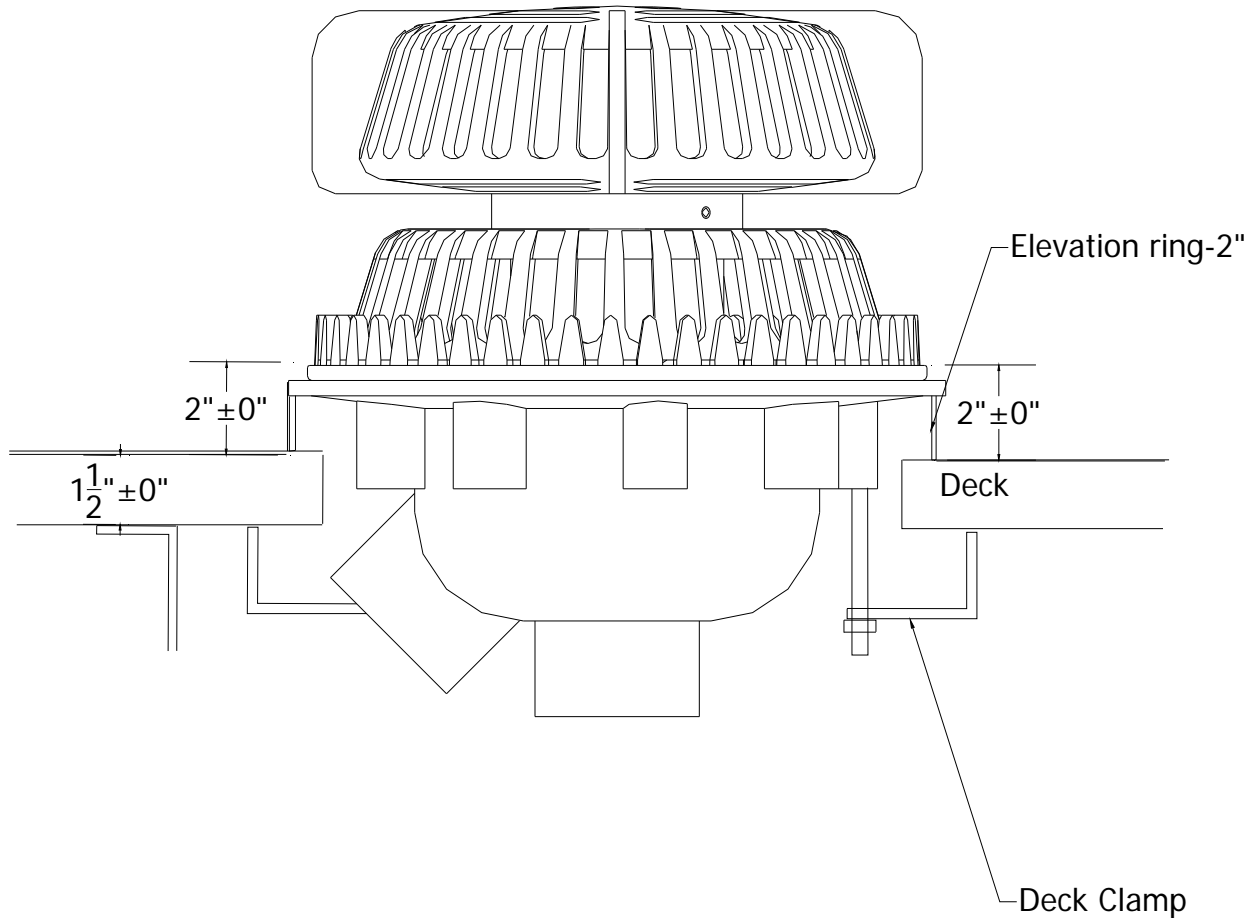
ULP	Ultra Low Profile	OFSL	Overflow Strainer Low Profile
LP	Low Profile	ER 1.5	Elevation Ring for 1-1/2" Insulation
DC	Deck Clamp	ER 2	Elevation Ring for 2" Insulation
ADC	Alternate Deck Clamp	IG	IRMA Roof Guard
DP	Drain Pan	DEX-2	2" Ring Extension
SP	Sump Drain Pan	DEX-4	4" Ring Extension
DMP	Deck Mounting Plate	DEX-6	6" Ring Extension
FR	Finishing Ring	CFW	Control Flow Weir
OFS	Overflow Strainer	VP	Vent Pipe

Specifications subject to change without notice

Froet Drain® Bi-Functional Roof Drain 100C3

Patent #US6594966

100C3LP-OFS-DC-ER-2



ULP	Ultra Low Profile	OFSL	Overflow Strainer Low Profile
LP	Low Profile	ER 1.5	Elevation Ring for 1-1/2" Insulation
DC	Deck Clamp	ER 2	Elevation Ring for 2" Insulation
ADC	Alternate Deck Clamp	IG	IRMA Roof Guard
DP	Drain Pan	DEX-2	2" Ring Extension
SP	Sump Drain Pan	DEX-4	4" Ring Extension
DMP	Deck Mounting Plate	DEX-6	6" Ring Extension
FR	Finishing Ring	CFW	Control Flow Weir
OFS	Overflow Strainer	VP	Vent Pipe



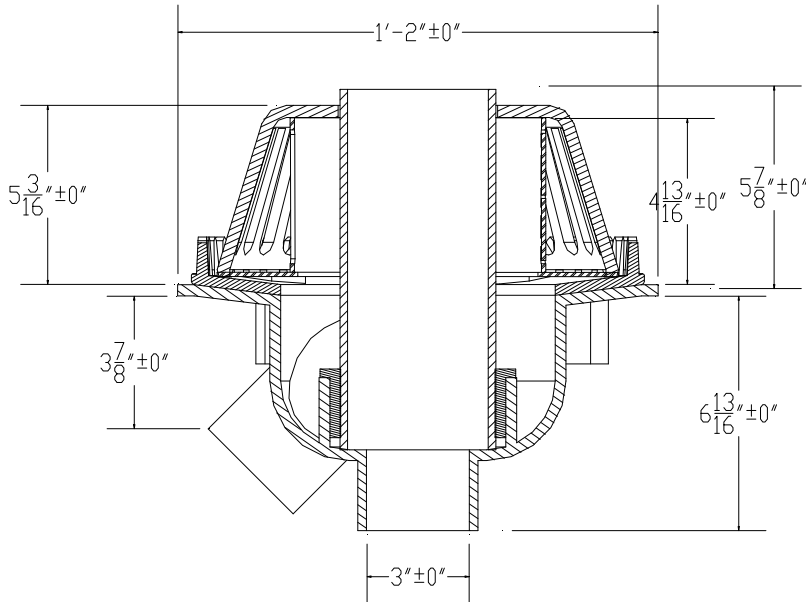
Specifications subject to change without notice

Froet Drain® Bi-Functional Roof Drain 100C4

Patent #US6594966

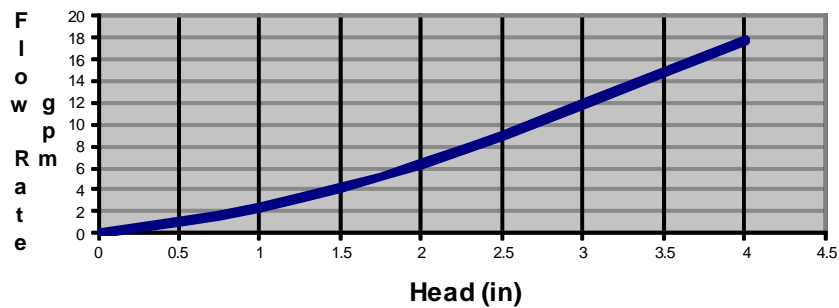
100C3-CFW

For projects in New York City the weir can be built to a custom GPM value of less than is shown in the graph below. The value need must accompany the order when placed.



The Froet Drain® roof drain with control flow weir can be configured on the job site for the required amount of flow needed. The weir is produced with one weir open. The 3" and 4" bodies have 6 possible weir openings and the 5" and 6" bodies have 8 possible openings. The chart shows the flow thru one weir opening. The design of our weir also allows for removal of the weir assembly from the drain to facilitate cleaning a plugged drain or piping without breaking the seal with the roofing membrane.

Single Slot Flow verse Head



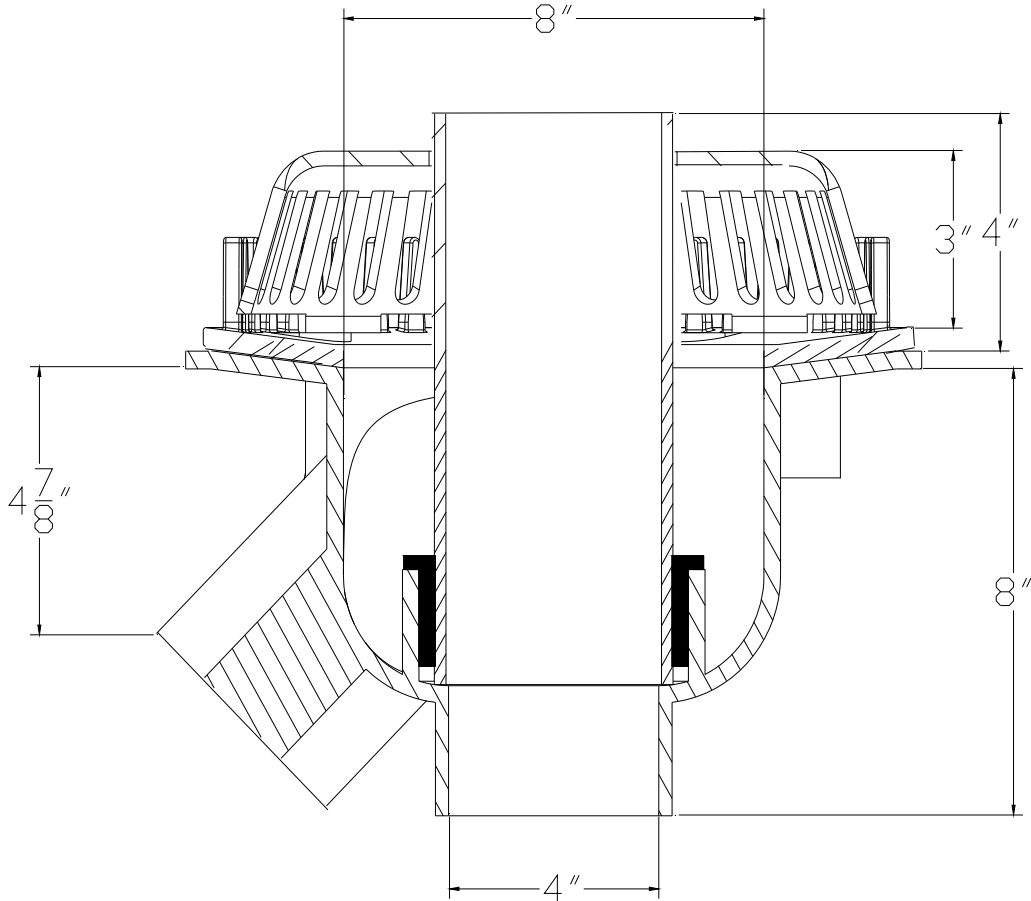
Please note: drain body size will need to be chosen based on the overflow drain requirements. If smaller primary drainage pipe is desired it can be reduced from the drain body outlet

Specifications subject to change without notice

Froet Drain® Bi-Functional Roof Drain 100C4LP

Patent #US6594966

100C4LP Overall Dimensions



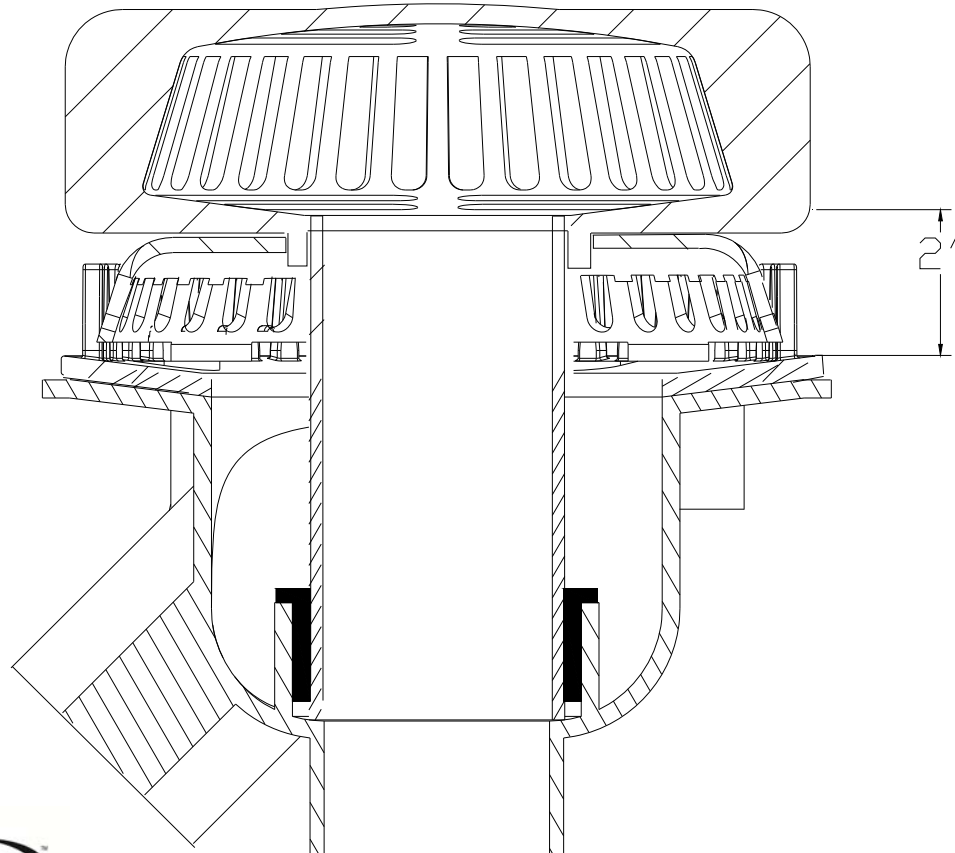
ULP	Ultra Low Profile	OFSL	Overflow Strainer Low Profile
LP	Low Profile	ER 1.5	Elevation Ring for 1-1/2" Insulation
DC	Deck Clamp	ER 2	Elevation Ring for 2" Insulation
ADC	Alternate Deck Clamp	IG	IRMA Roof Guard
DP	Drain Pan	DEX-2	2" Ring Extension
SP	Sump Drain Pan	DEX-4	4" Ring Extension
DMP	Deck Mounting Plate	DEX-6	6" Ring Extension
FR	Finishing Ring	CFW	Control Flow Weir
OFS	Overflow Strainer	VP	Vent Pipe

Specifications subject to change without notice

Froet Drain® Bi-Functional Roof Drain 100C3

Patent #US6594966

100C4ULP-OFS



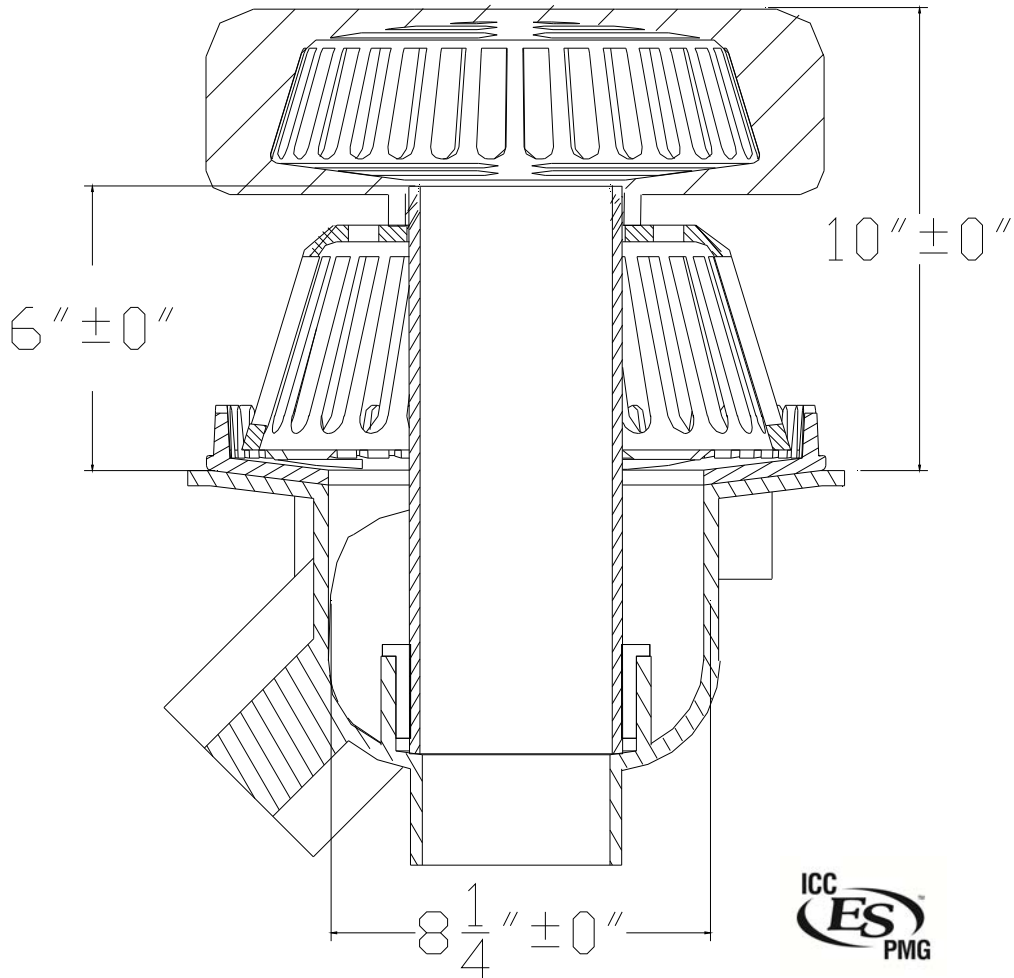
ULP	Ultra Low Profile	OFSL	Overflow Strainer Low Profile
LP	Low Profile	ER 1.5	Elevation Ring for 1-1/2" Insulation
DC	Deck Clamp	ER 2	Elevation Ring for 2" Insulation
ADC	Alternate Deck Clamp	IG	IRMA Roof Guard
DP	Drain Pan	DEX-2	2" Ring Extension
SP	Sump Drain Pan	DEX-4	4" Ring Extension
DMP	Deck Mounting Plate	DEX-6	6" Ring Extension
FR	Finishing Ring	CFW	Control Flow Weir
OFS	Overflow Strainer	VP	Vent Pipe

Specifications subject to change without notice

Froet Drain® Bi-Functional Roof Drain 100C4

Patent #US6594966

100C4-OFS



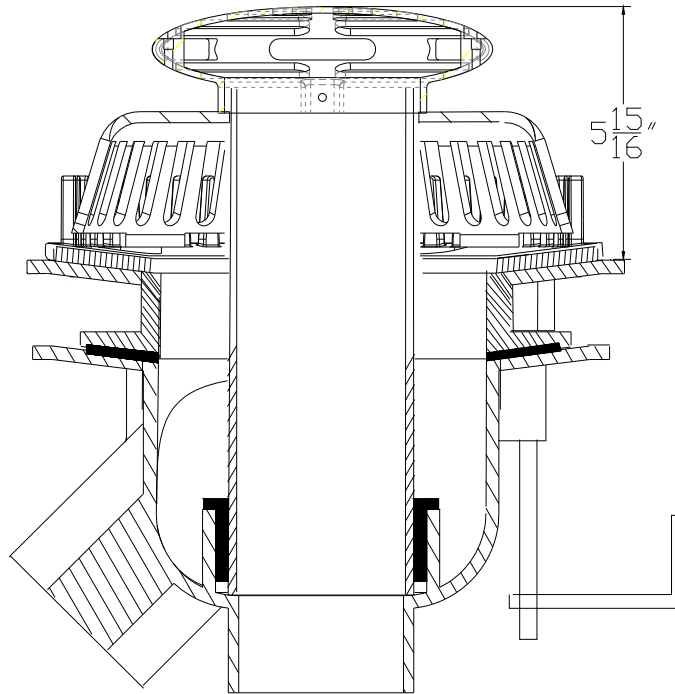
ULP	Ultra Low Profile	OFSL	Overflow Strainer Low Profile
LP	Low Profile	ER 1.5	Elevation Ring for 1-1/2" Insulation
DC	Deck Clamp	ER 2	Elevation Ring for 2" Insulation
ADC	Alternate Deck Clamp	IG	IRMA Roof Guard
DP	Drain Pan	DEX-2	2" Ring Extension
SP	Sump Drain Pan	DEX-4	4" Ring Extension
DMP	Deck Mounting Plate	DEX-6	6" Ring Extension
FR	Finishing Ring	CFW	Control Flow Weir
OFS	Overflow Strainer	VP	Vent Pipe

Specifications subject to change without notice

Froet Drain® Bi-Functional Roof Drain 100C4

Patent #US6594966

100C4LP-OFSLP-DEX2-DC



Extension Bolts must be torqued to 33 Ft. Lbs.

Please Note: The Gasket supplied with the extension must be installed to provide watertight installation.

ULP	Ultra Low Profile	OFSL	Overflow Strainer Low Profile
LP	Low Profile	ER 1.5	Elevation Ring for 1-1/2" Insulation
DC	Deck Clamp	ER 2	Elevation Ring for 2" Insulation
ADC	Alternate Deck Clamp	IG	IRMA Roof Guard
DP	Drain Pan	DEX-2	2" Ring Extension
SP	Sump Drain Pan	DEX-4	4" Ring Extension
DMP	Deck Mounting Plate	DEX-6	6" Ring Extension
FR	Finishing Ring	CFW	Control Flow Weir
OFS	Overflow Strainer	VP	Vent Pipe

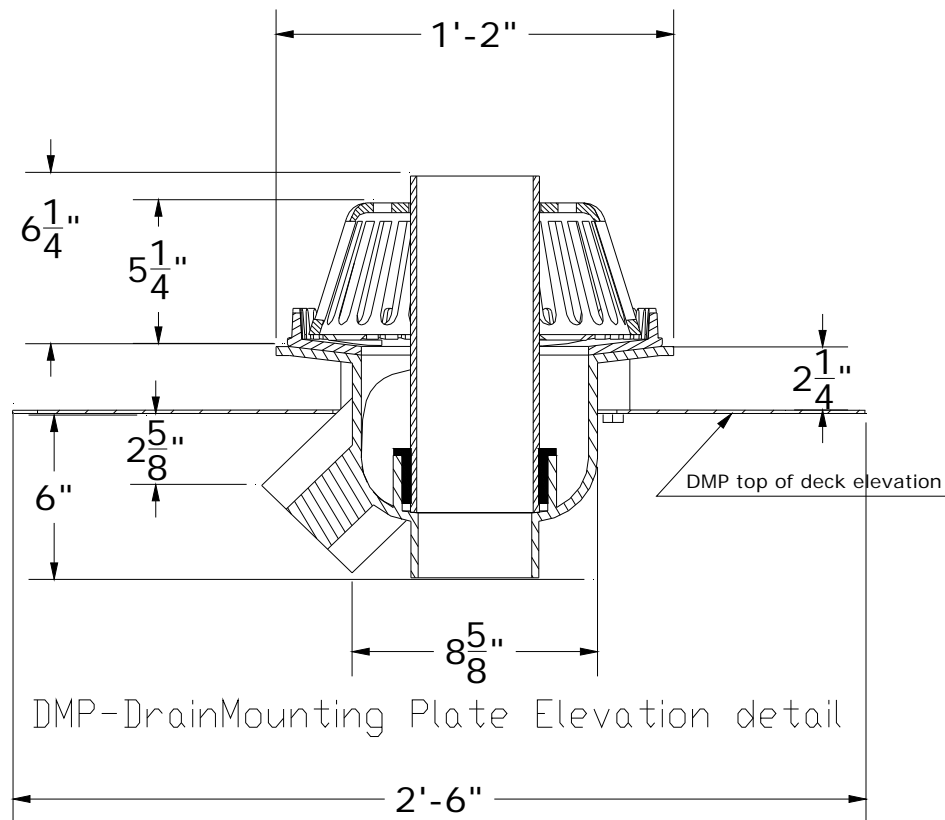
Specifications subject to change without notice

Froet Industries LLC - P.O. Box 787 -1741 Industrial Drive-Sterling, Illinois 61081 - ph.815.626.7922 fx.815.626.0702
www.froetindustries.com

Froet Drain® Bi-Functional Roof Drain 100C4

Patent #US6594966

100C4-DMP



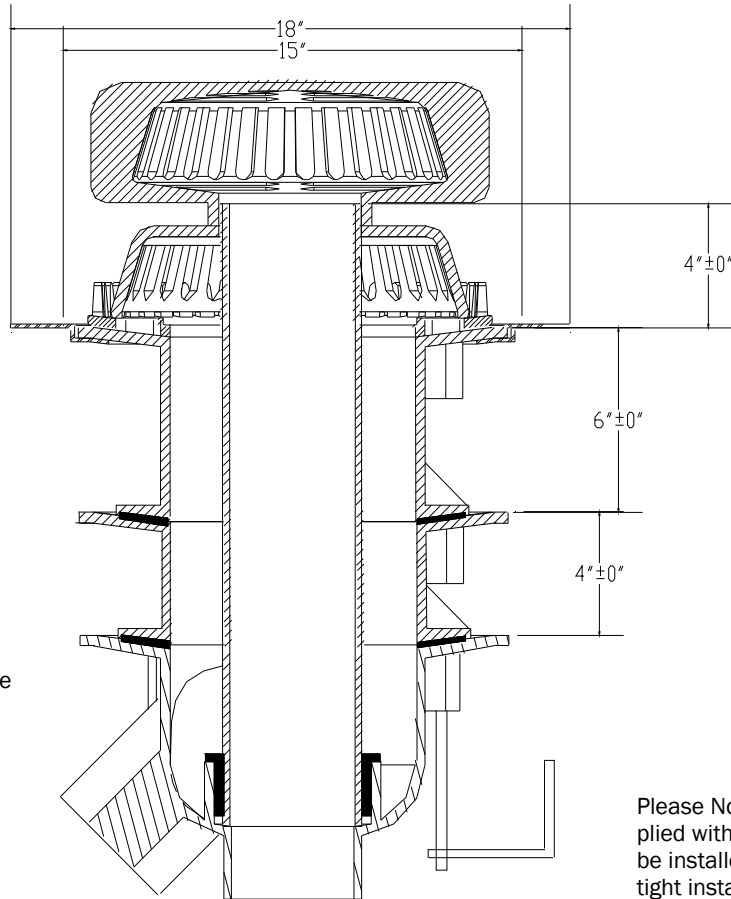
ULP	Ultra Low Profile	OFSL	Overflow Strainer Low Profile
LP	Low Profile	ER 1.5	Elevation Ring for 1-1/2" Insulation
DC	Deck Clamp	ER 2	Elevation Ring for 2" Insulation
ADC	Alternate Deck Clamp	IG	IRMA Roof Guard
DP	Drain Pan	DEX-2	2" Ring Extension
SP	Sump Drain Pan	DEX-4	4" Ring Extension
DMP	Deck Mounting Plate	DEX-6	6" Ring Extension
FR	Finishing Ring	CFW	Control Flow Weir
OFS	Overflow Strainer	VP	Vent Pipe

Specifications subject to change without notice

Froet Drain® Bi-Functional Roof Drain 100C4

Patent #US6594966

100C4LP-OFS-DEX4-DEX6-FR-DC



Extension Bolts must be torqued to 33 Ft. Lbs.

Please Note: The Gasket supplied with the extension must be installed to provide water-tight installation.

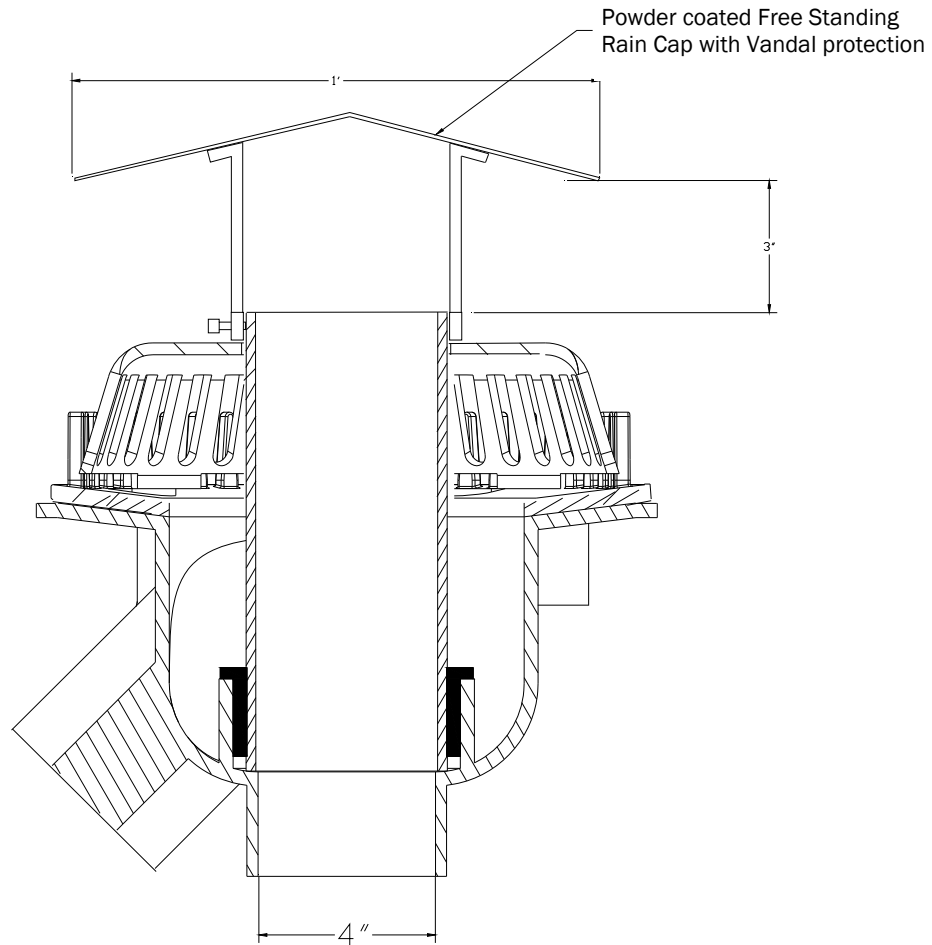
ULP	Ultra Low Profile	OFSL	Overflow Strainer Low Profile
LP	Low Profile	ER 1.5	Elevation Ring for 1-1/2" Insulation
DC	Deck Clamp	ER 2	Elevation Ring for 2" Insulation
ADC	Alternate Deck Clamp	IG	IRMA Roof Guard
DP	Drain Pan	DEX-2	2" Ring Extension
SP	Sump Drain Pan	DEX-4	4" Ring Extension
DMP	Deck Mounting Plate	DEX-6	6" Ring Extension
FR	Finishing Ring	CFW	Control Flow Weir
OFS	Overflow Strainer	VP	Vent Pipe

Specifications subject to change without notice

Froet Drain® Bi-Functional Roof Drain 100C4

Patent #US6594966

100C4LP-FSRC



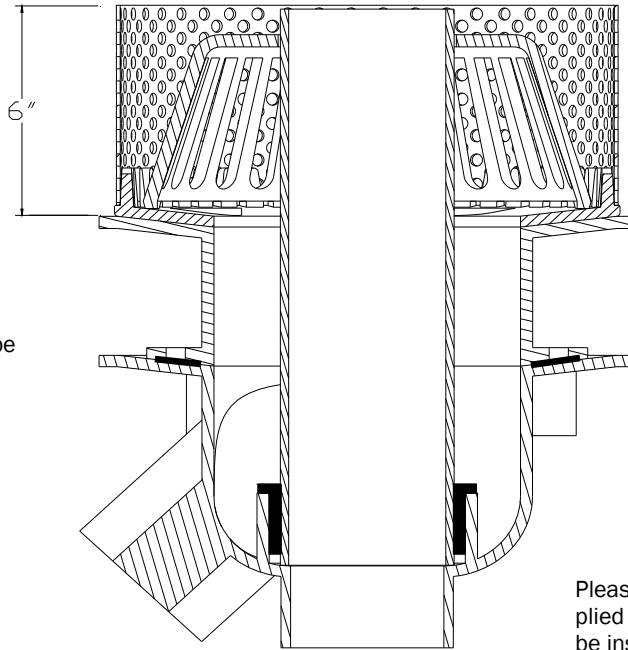
ULP	Ultra Low Profile	OFSL	Overflow Strainer Low Profile
LP	Low Profile	ER 1.5	Elevation Ring for 1-1/2" Insulation
DC	Deck Clamp	ER 2	Elevation Ring for 2" Insulation
ADC	Alternate Deck Clamp	IG	IRMA Roof Guard
DP	Drain Pan	DEX-2	2" Ring Extension
SP	Sump Drain Pan	DEX-4	4" Ring Extension
DMP	Deck Mounting Plate	DEX-6	6" Ring Extension
FR	Finishing Ring	CFW	Control Flow Weir
OFS	Overflow Strainer	VP	Vent Pipe

Specifications subject to change without notice

Froet Drain® Bi-Functional Roof Drain 100C4

Patent #US6594966

100C4-DEX-4-IG



Extension Bolts must be torqued to 33 Ft. Lbs.

Please Note: The Gasket supplied with the extension must be installed to provide water-tight installation.

Please Note: The use of the IRMA Guard with a conventional roof system will restrict small debris that would normally pass thru the drainage system. This will block the IRMA Guard and will require increased frequency for maintenance.

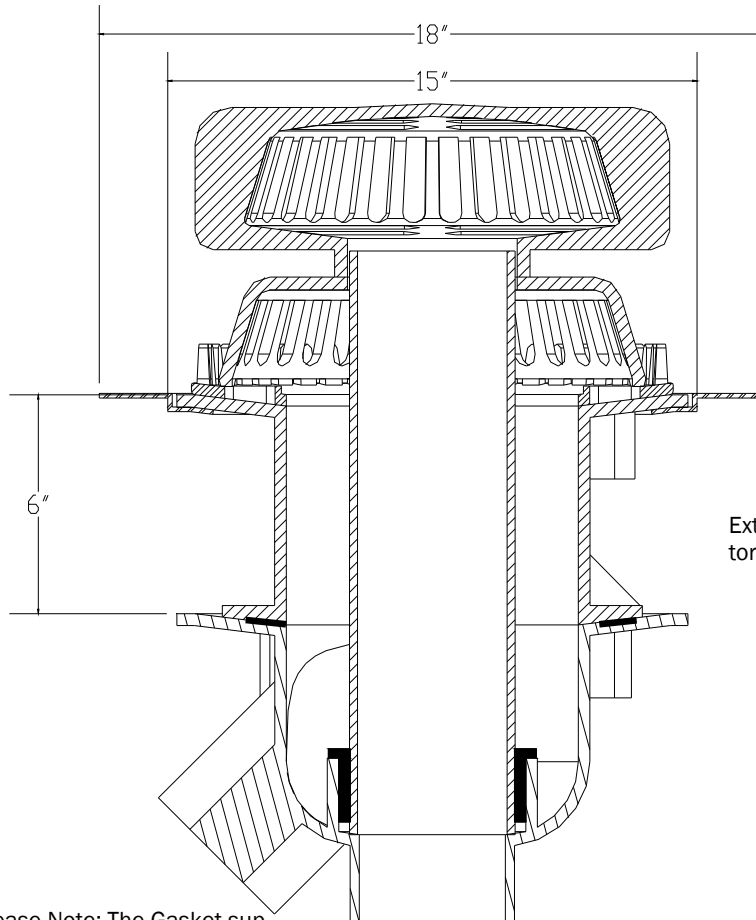
ULP	Ultra Low Profile	OFSL	Overflow Strainer Low Profile
LP	Low Profile	ER 1.5	Elevation Ring for 1-1/2" Insulation
DC	Deck Clamp	ER 2	Elevation Ring for 2" Insulation
ADC	Alternate Deck Clamp	IG	IRMA Roof Guard
DP	Drain Pan	DEX-2	2" Ring Extension
SP	Sump Drain Pan	DEX-4	4" Ring Extension
DMP	Deck Mounting Plate	DEX-6	6" Ring Extension
FR	Finishing Ring	CFW	Control Flow Weir
OFS	Overflow Strainer	VP	Vent Pipe

Specifications subject to change without notice

Froet Drain® Bi-Functional Roof Drain 100C4

Patent #US6594966

100C4LP-DEX6-FR-OFS



Extension Bolts must be torqued to 33 Ft. Lbs.

Please Note: The Gasket supplied with the extension must be installed to provide water-tight installation.



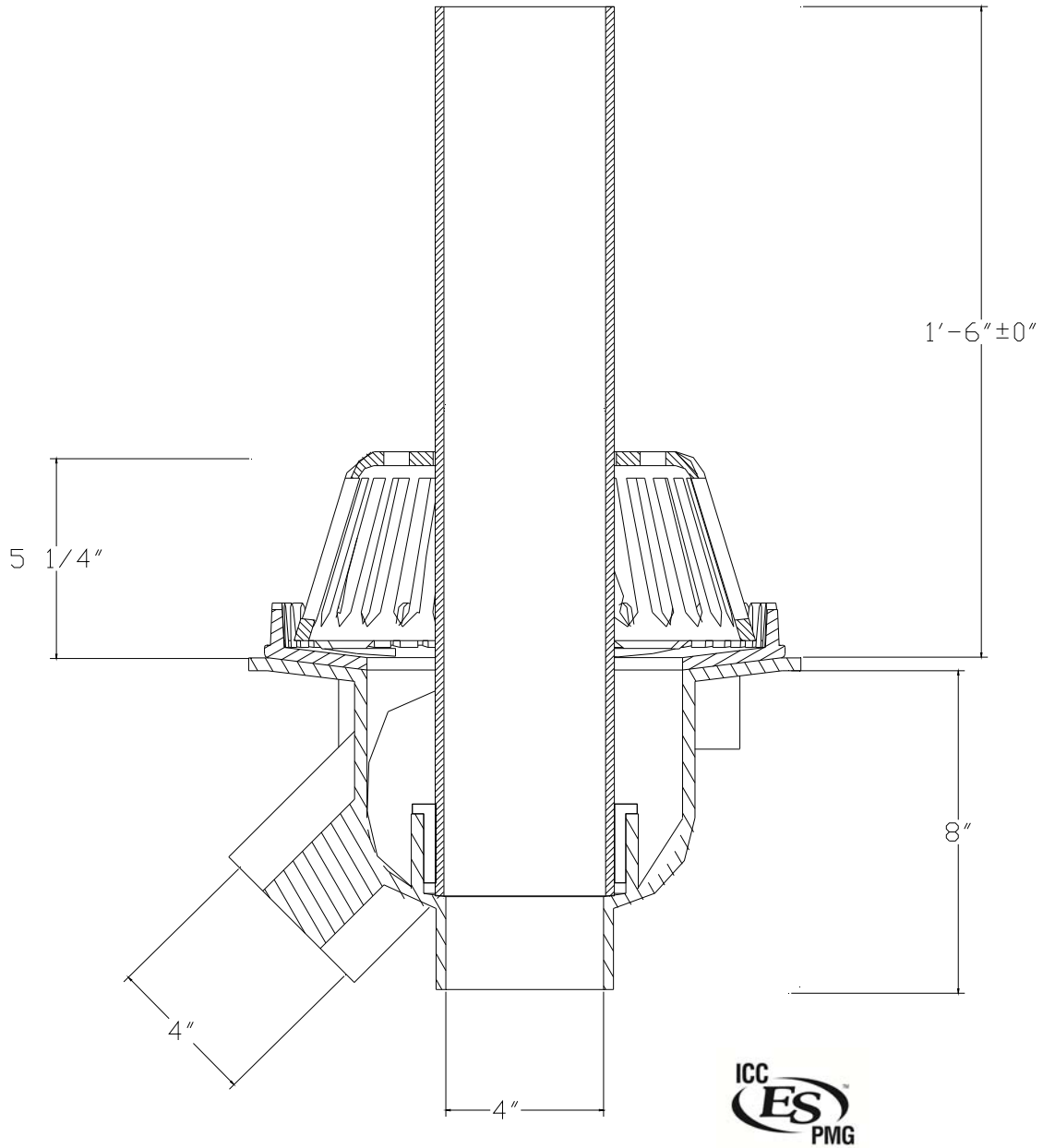
ULP	Ultra Low Profile	OFSL	Overflow Strainer Low Profile
LP	Low Profile	ER 1.5	Elevation Ring for 1-1/2" Insulation
DC	Deck Clamp	ER 2	Elevation Ring for 2" Insulation
ADC	Alternate Deck Clamp	IG	IRMA Roof Guard
DP	Drain Pan	DEX-2	2" Ring Extension
SP	Sump Drain Pan	DEX-4	4" Ring Extension
DMP	Deck Mounting Plate	DEX-6	6" Ring Extension
FR	Finishing Ring	CFW	Control Flow Weir
OFS	Overflow Strainer	VP	Vent Pipe

Specifications subject to change without notice

Froet Drain® Bi-Functional Roof Drain 100C4 with vent

Patent # US6594966 & US7415802

100C4-VP



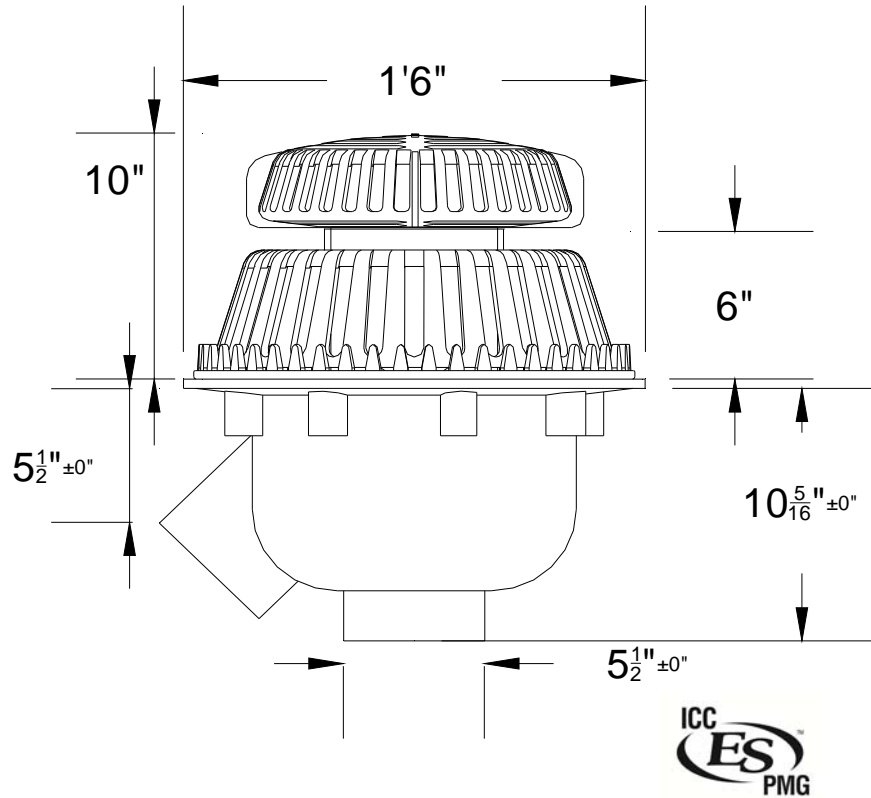
Specifications subject to change without notice

Froet Industries LLC - P.O. Box 787 -1741 Industrial Drive-Sterling, Illinois 61081 - ph.815.626.7922 fx.815.626.0702
www.froetindustries.com

Froet Drain® Bi-Functional Roof Drain 100C5

Patent #US6594966

100 Series 5" Drain Overall Dimensions



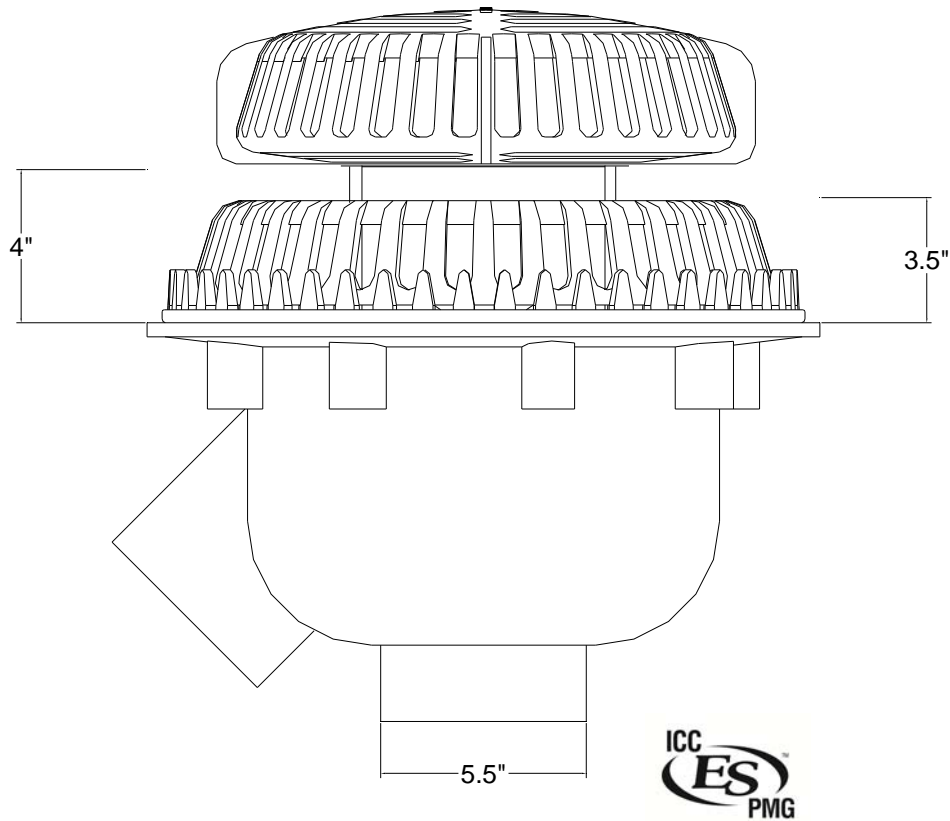
ULP	Ultra Low Profile		
LP	Low Profile	ER 1.5	Elevation Ring for 1-1/2" Insulation
DC	Deck Clamp	ER 2	Elevation Ring for 2" Insulation
ADC	Alternate Deck Clamp	IG	IRMA Roof Guard
DP	Drain Pan	DEX-2	2" Ring Extension
SP	Sump Drain Pan	DEX-4	4" Ring Extension
DMP	Deck Mounting Plate	DEX-6	6" Ring Extension
FR	Finishing Ring	CFW	Control Flow Weir
OFS	Overflow Strainer	VP	Vent Pipe

Specifications subject to change without notice

Froet Drain® Bi-Functional Roof Drain 100C5

Patent #US6594966

100C5LP-OFS



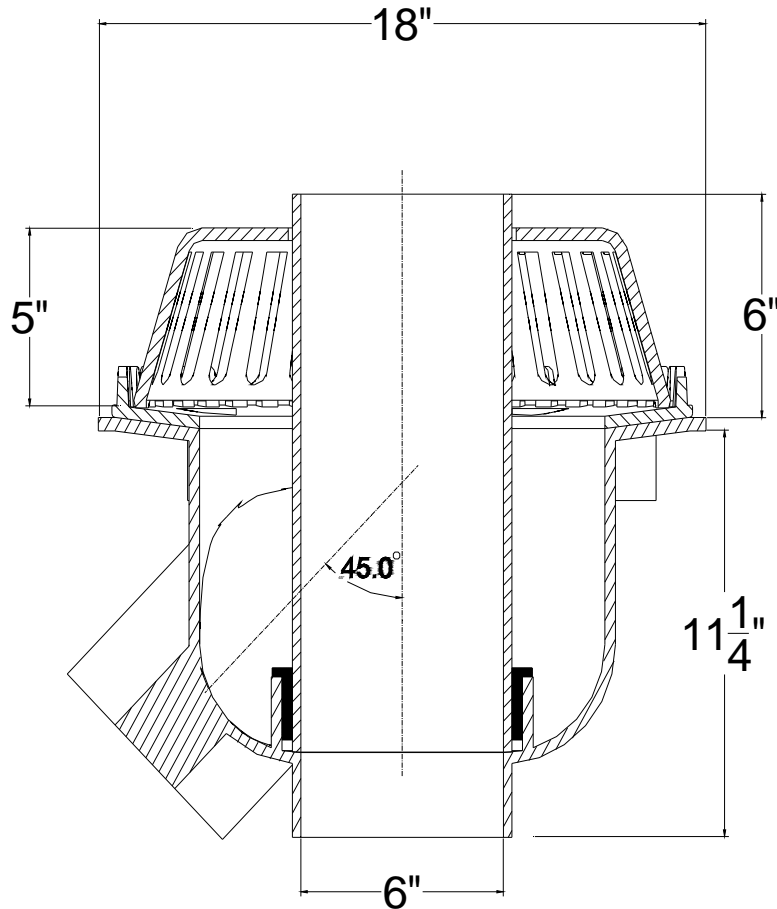
ULP	Ultra Low Profile		
LP	Low Profile	ER 1.5	Elevation Ring for 1-1/2" Insulation
DC	Deck Clamp	ER 2	Elevation Ring for 2" Insulation
ADC	Alternate Deck Clamp	IG	IRMA Roof Guard
DP	Drain Pan	DEX-2	2" Ring Extension
SP	Sump Drain Pan	DEX-4	4" Ring Extension
DMP	Deck Mounting Plate	DEX-6	6" Ring Extension
FR	Finishing Ring	CFW	Control Flow Weir
OFS	Overflow Strainer	VP	Vent Pipe

Specifications subject to change without notice

Froet Drain® Bi-Functional Roof Drain 100C6

Patent #US6594966

100 Series 6" Drain Overall Dimensions



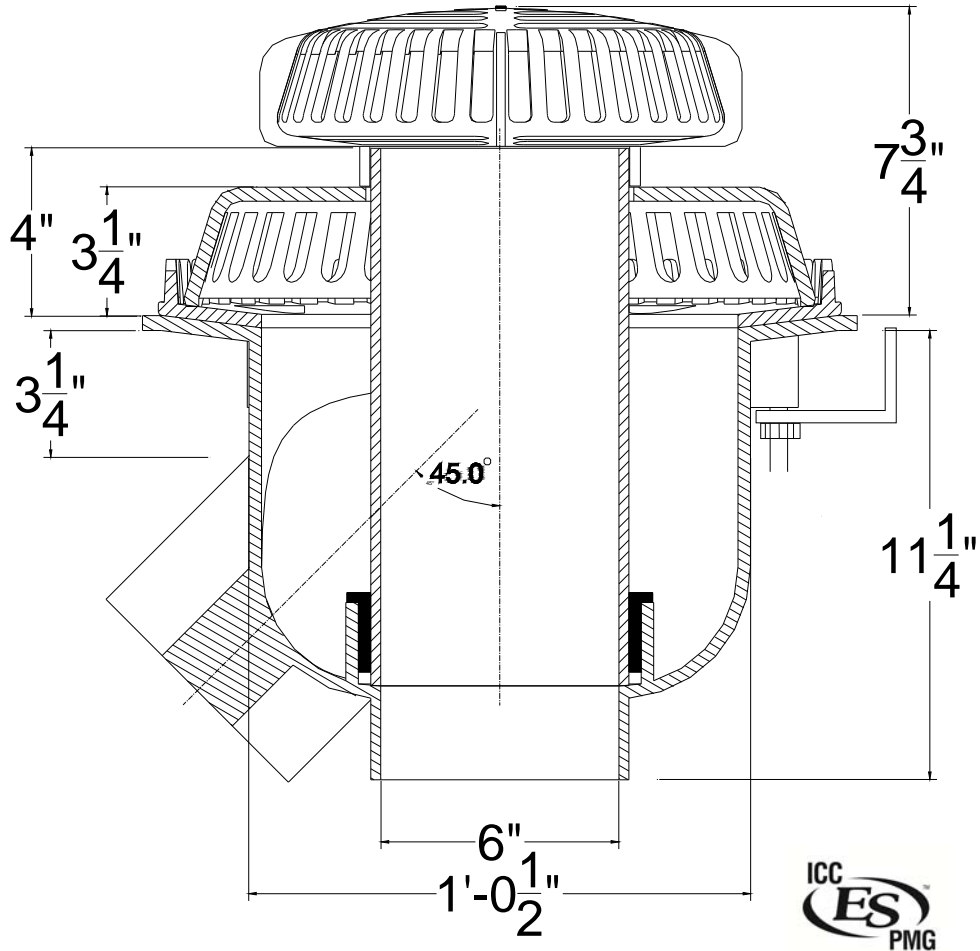
ULP	Ultra Low Profile		
LP	Low Profile	ER 1.5	Elevation Ring for 1-1/2" Insulation
DC	Deck Clamp	ER 2	Elevation Ring for 2" Insulation
ADC	Alternate Deck Clamp	IG	IRMA Roof Guard
DP	Drain Pan	DEX-2	2" Ring Extension
SP	Sump Drain Pan	DEX-4	4" Ring Extension
DMP	Deck Mounting Plate	DEX-6	6" Ring Extension
FR	Finishing Ring	CFW	Control Flow Weir
OFS	Overflow Strainer	VP	Vent Pipe

Specifications subject to change without notice

Froet Drain® Bi-Functional Roof Drain 100C6

Patent #US6594966

100C6LP-OFS



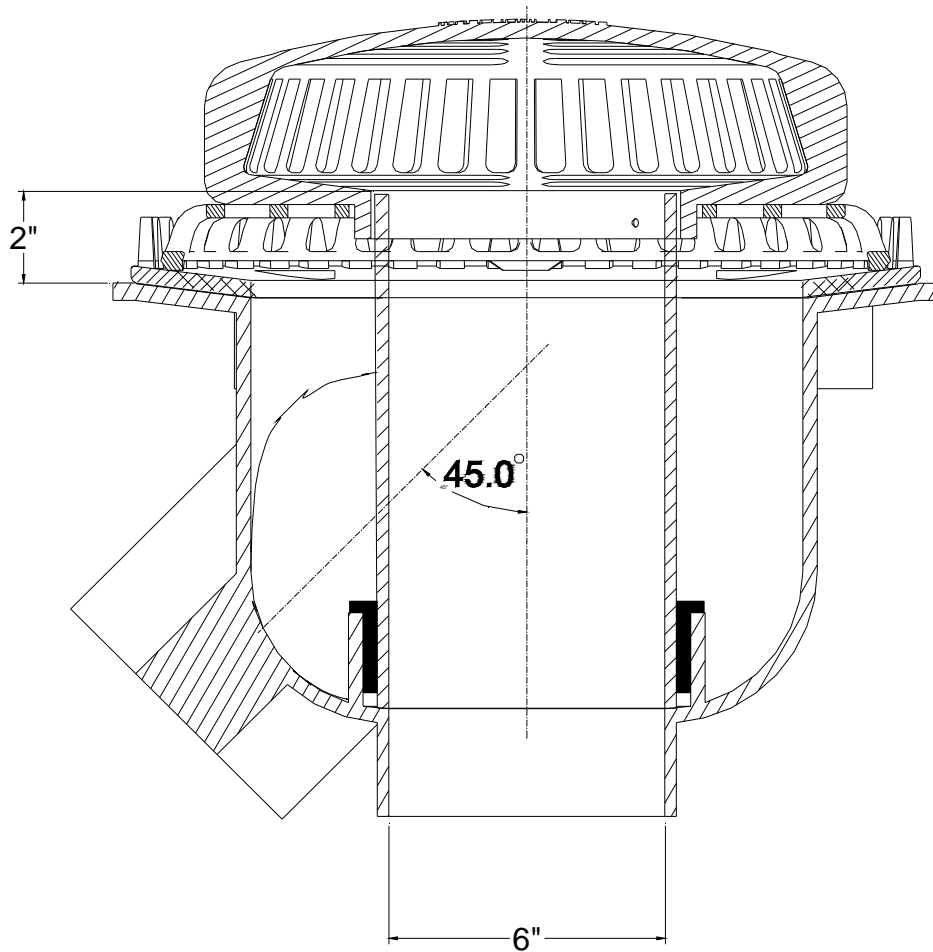
ULP	Ultra Low Profile		
LP	Low Profile	ER 1.5	Elevation Ring for 1-1/2" Insulation
DC	Deck Clamp	ER 2	Elevation Ring for 2" Insulation
ADC	Alternate Deck Clamp	IG	IRMA Roof Guard
DP	Drain Pan	DEX-2	2" Ring Extension
SP	Sump Drain Pan	DEX-4	4" Ring Extension
DMP	Deck Mounting Plate	DEX-6	6" Ring Extension
FR	Finishing Ring	CFW	Control Flow Weir
OFS	Overflow Strainer	VP	Vent Pipe

Specifications subject to change without notice

Froet Drain® Bi-Functional Roof Drain 100C6

Patent #US6594966

100C6ULP-OFS



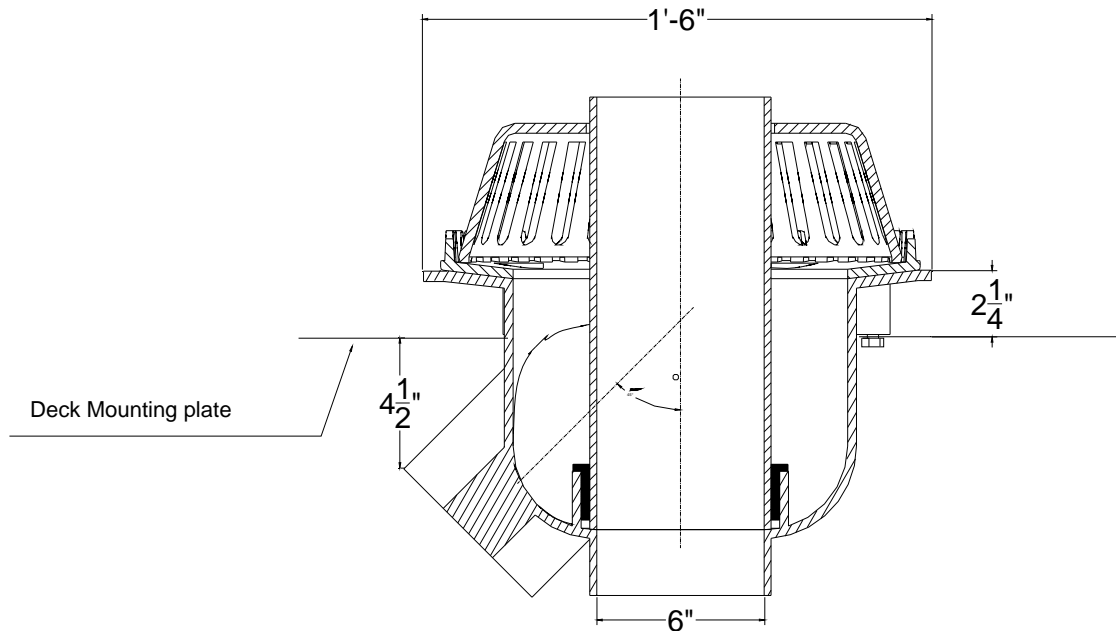
ULP	Ultra Low Profile		
LP	Low Profile	ER 1.5	Elevation Ring for 1-1/2" Insulation
DC	Deck Clamp	ER 2	Elevation Ring for 2" Insulation
ADC	Alternate Deck Clamp	IG	IRMA Roof Guard
DP	Drain Pan	DEX-2	2" Ring Extension
SP	Sump Drain Pan	DEX-4	4" Ring Extension
DMP	Deck Mounting Plate	DEX-6	6" Ring Extension
FR	Finishing Ring	CFW	Control Flow Weir
OFS	Overflow Strainer	VP	Vent Pipe

Specifications subject to change without notice

Froet Drain® Bi-Functional Roof Drain 100C6

Patent #US6594966

100C6-DMP



Please note: roof drain elevation is 2.25 inches above metal deck 2.5 inches of insulation required at drain to prevent ponding

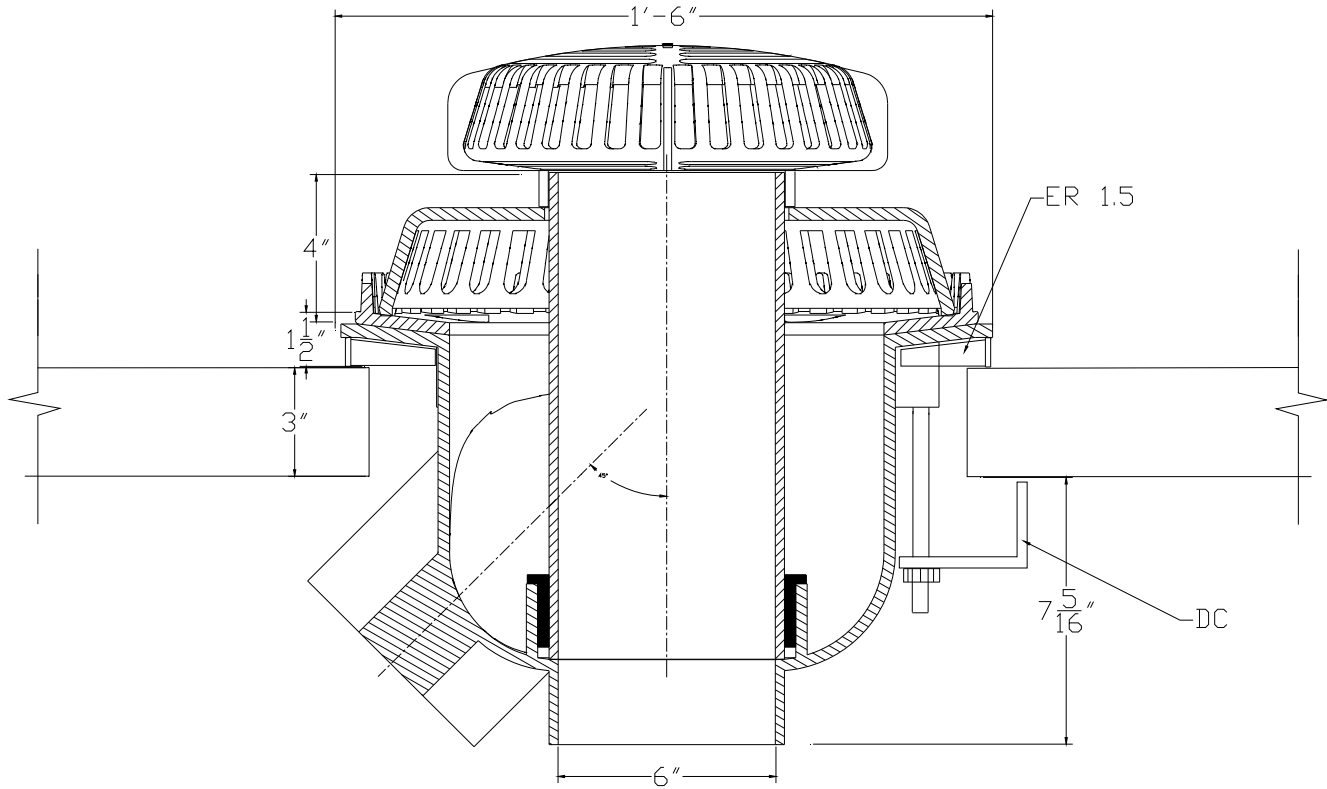
ULP	Ultra Low Profile		
LP	Low Profile	ER 1.5	Elevation Ring for 1-1/2" Insulation
DC	Deck Clamp	ER 2	Elevation Ring for 2" Insulation
ADC	Alternate Deck Clamp	IG	IRMA Roof Guard
DP	Drain Pan	DEX-2	2" Ring Extension
SP	Sump Drain Pan	DEX-4	4" Ring Extension
DMP	Deck Mounting Plate	DEX-6	6" Ring Extension
FR	Finishing Ring	CFW	Control Flow Weir
OFS	Overflow Strainer	VP	Vent Pipe

Specifications subject to change without notice

Froet Drain® Bi-Functional Roof Drain 100C6

Patent #US6594966

100C6LP-OFS-DC-ER1.5



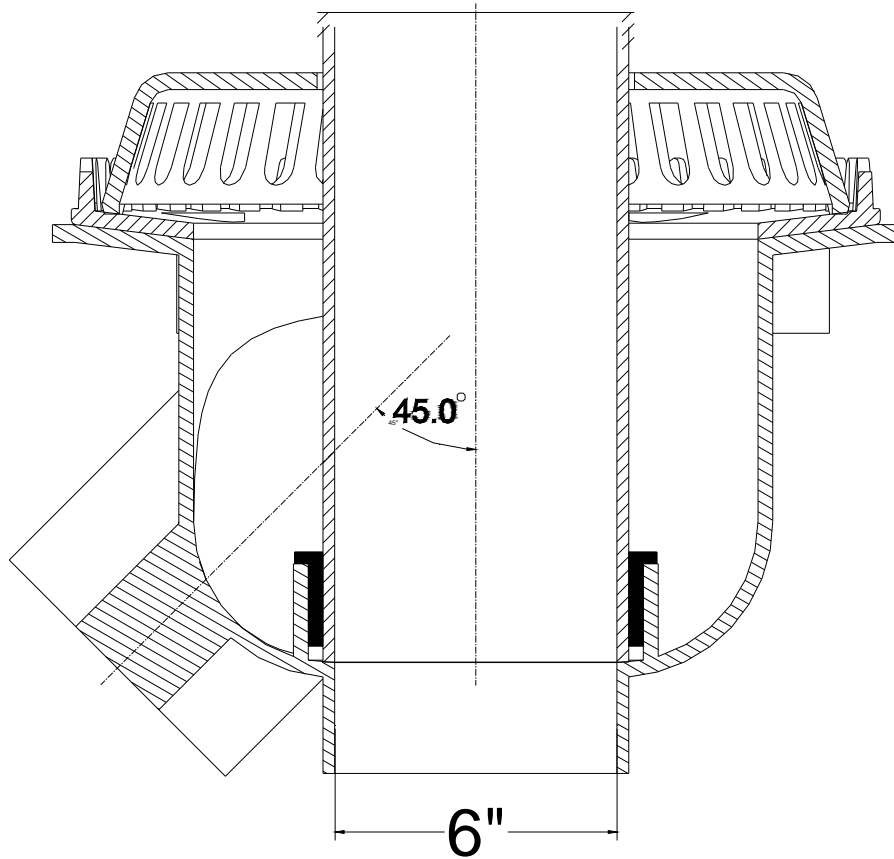
ULP	Ultra Low Profile		
LP	Low Profile	ER 1.5	Elevation Ring for 1-1/2" Insulation
DC	Deck Clamp	ER 2	Elevation Ring for 2" Insulation
ADC	Alternate Deck Clamp	IG	IRMA Roof Guard
DP	Drain Pan	DEX-2	2" Ring Extension
SP	Sump Drain Pan	DEX-4	4" Ring Extension
DMP	Deck Mounting Plate	DEX-6	6" Ring Extension
FR	Finishing Ring	CFW	Control Flow Weir
OFS	Overflow Strainer	VP	Vent Pipe

Specifications subject to change without notice

Froet Drain® Bi-Functional Roof Drain 100C6

Patent #US6594966

100C6LP-OFS



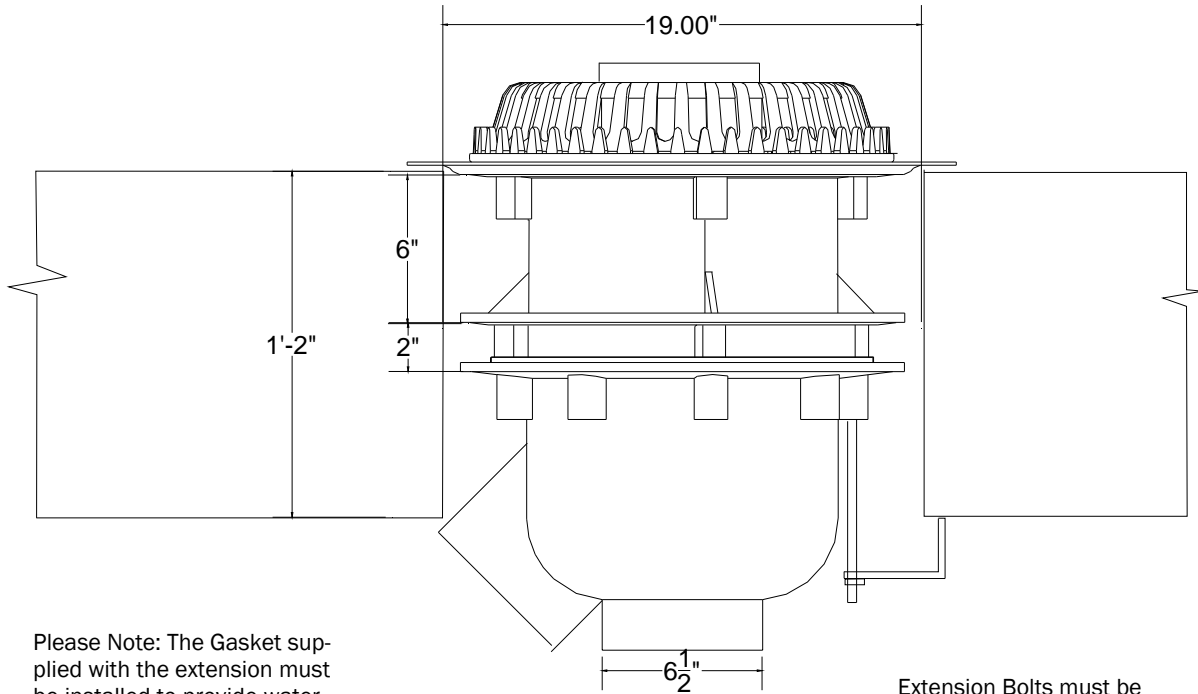
ULP	Ultra Low Profile		
LP	Low Profile	ER 1.5	Elevation Ring for 1-1/2" Insulation
DC	Deck Clamp	ER 2	Elevation Ring for 2" Insulation
ADC	Alternate Deck Clamp	IG	IRMA Roof Guard
DP	Drain Pan	DEX-2	2" Ring Extension
SP	Sump Drain Pan	DEX-4	4" Ring Extension
DMP	Deck Mounting Plate	DEX-6	6" Ring Extension
FR	Finishing Ring	CFW	Control Flow Weir
OFS	Overflow Strainer	VP	Vent Pipe

Specifications subject to change without notice

Froet Drain® Bi-Functional Roof Drain 100C6

Patent #US6594966

100C6LP-FR-DC-DEX6-DEX2



Please Note: The Gasket supplied with the extension must be installed to provide water-tight installation.

Extension Bolts must be torqued to 33 Ft. Lbs.

ULP	Ultra Low Profile		
LP	Low Profile	ER 1.5	Elevation Ring for 1-1/2" Insulation
DC	Deck Clamp	ER 2	Elevation Ring for 2" Insulation
ADC	Alternate Deck Clamp	IG	IRMA Roof Guard
DP	Drain Pan	DEX-2	2" Ring Extension
SP	Sump Drain Pan	DEX-4	4" Ring Extension
DMP	Deck Mounting Plate	DEX-6	6" Ring Extension
FR	Finishing Ring	CFW	Control Flow Weir
OFS	Overflow Strainer	VP	Vent Pipe

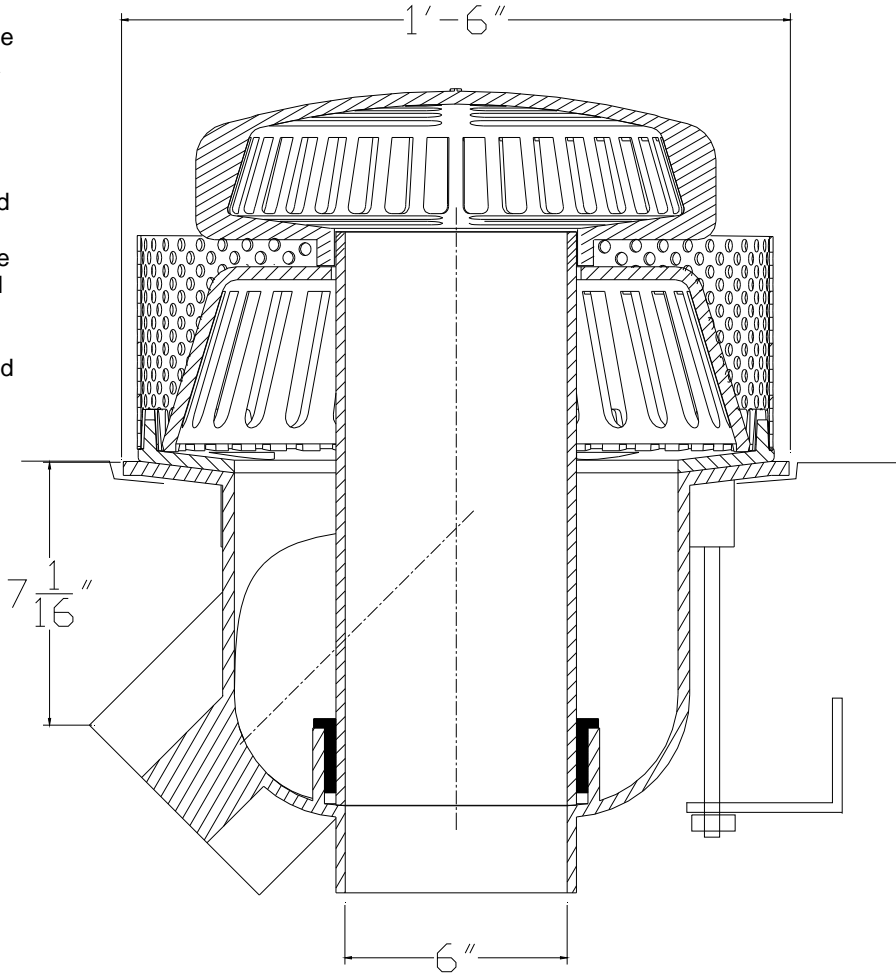
Specifications subject to change without notice

Froet Drain® Bi-Functional Roof Drain 100C6

Patent #US6594966

100C6-OFS-IG-FR-DC

Please Note: The use of the IRMA Guard with a conventional roof system will restrict small debris that would normally pass thru the drainage system. This will block the IRMA Guard and will require increased frequency for maintenance.

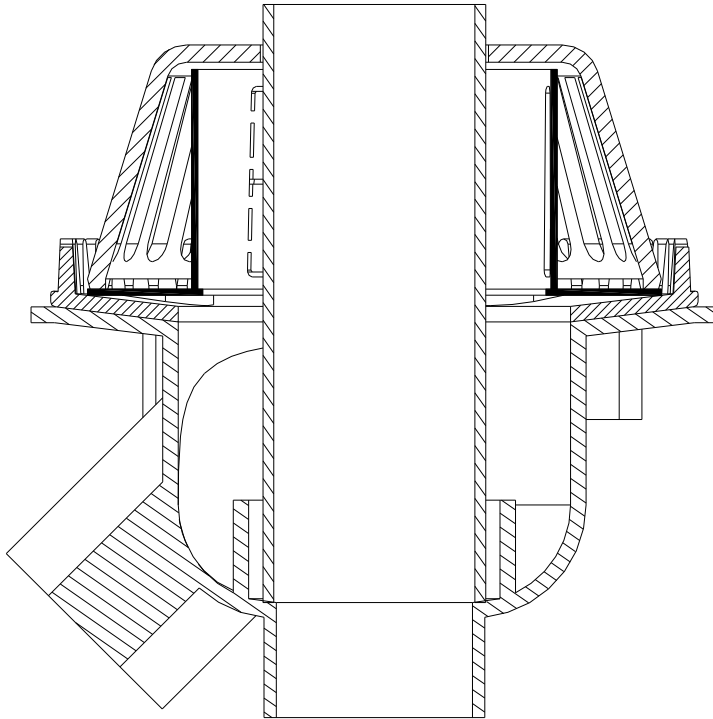


ULP	Ultra Low Profile		
LP	Low Profile	ER 1.5	Elevation Ring for 1-1/2" Insulation
DC	Deck Clamp	ER 2	Elevation Ring for 2" Insulation
ADC	Alternate Deck Clamp	IG	IRMA Roof Guard
DP	Drain Pan	DEX-2	2" Ring Extension
SP	Sump Drain Pan	DEX-4	4" Ring Extension
DMP	Deck Mounting Plate	DEX-6	6" Ring Extension
FR	Finishing Ring	CFW	Control Flow Weir
OFS	Overflow Strainer	VP	Vent Pipe

Specifications subject to change without notice

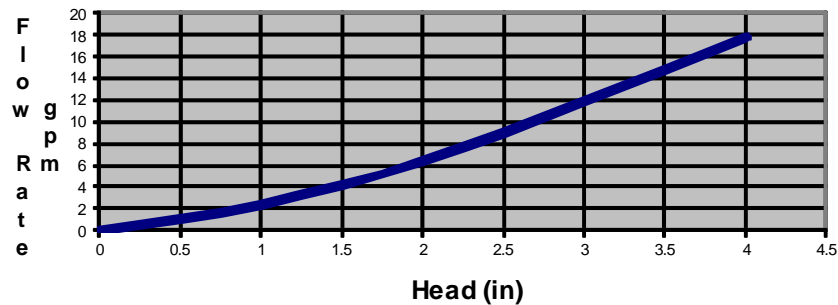
Froet Drain® Bi-Functional Roof Drain 100C6-CFW

Patent #US6594966



The Froet Drain® roof drain with control flow weir can be configured on the job site for the required amount of flow needed. The weir is produced with one weir open. The 3" and 4" bodies have 6 possible weir openings and the 5" and 6" bodies have 8 possible openings. The chart shows the flow thru one weir opening. The design of our weir also allows for removal of the weir assembly from the drain to facilitate cleaning a plugged drain or piping without breaking the seal with the roofing membrane.

Single Slot Flow verse Head



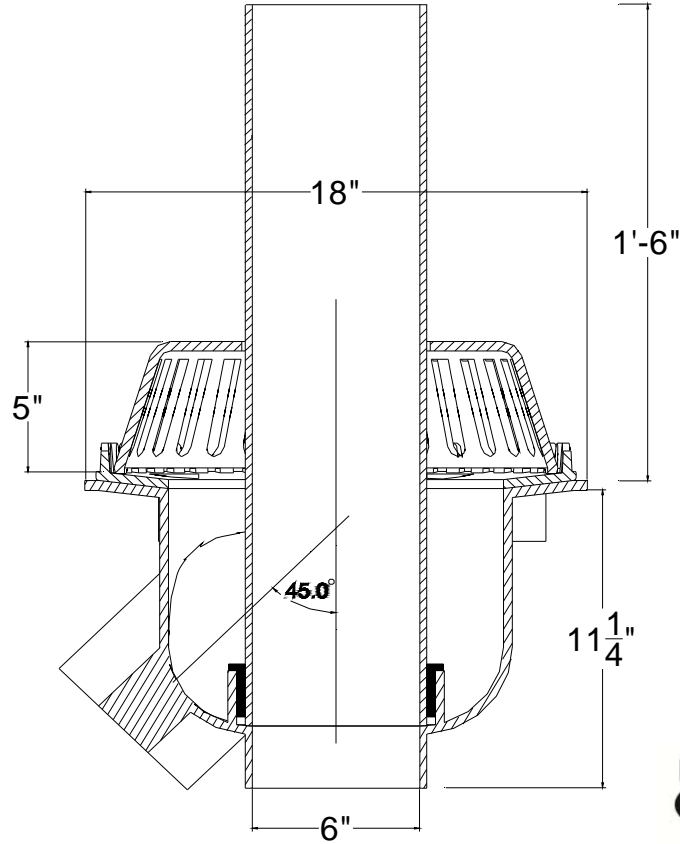
Please note: drain body size will need to be chosen based on the overflow drain requirements. If smaller primary drainage pipe is desired it can be reduced from the drain body outlet

Specifications subject to change without notice

Froet Drain® Bi-Functional Roof Drain 100C6 with vent

Patent # US6594966 & US7415802

100C6-VP



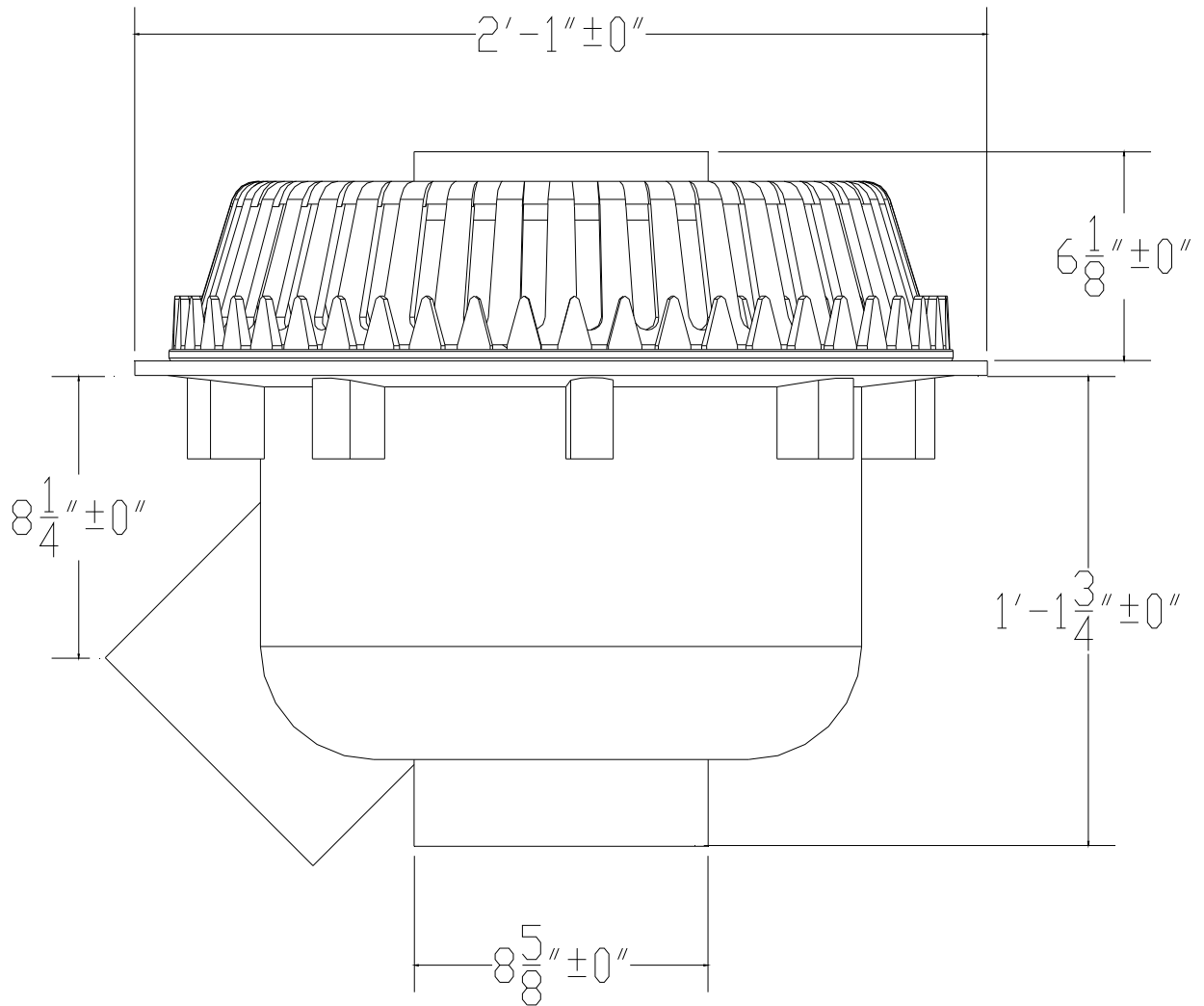
ULP	Ultra Low Profile		
LP	Low Profile	ER 1.5	Elevation Ring for 1-1/2" Insulation
DC	Deck Clamp	ER 2	Elevation Ring for 2" Insulation
ADC	Alternate Deck Clamp	IG	IRMA Roof Guard
DP	Drain Pan	DEX-2	2" Ring Extension
SP	Sump Drain Pan	DEX-4	4" Ring Extension
DMP	Deck Mounting Plate	DEX-6	6" Ring Extension
FR	Finishing Ring	CFW	Control Flow Weir
OFS	Overflow Strainer	VP	Vent Pipe

Specifications subject to change without notice

Froet Drain® Bi-Functional Roof Drain 100C8

Patent # US6594966

100C8



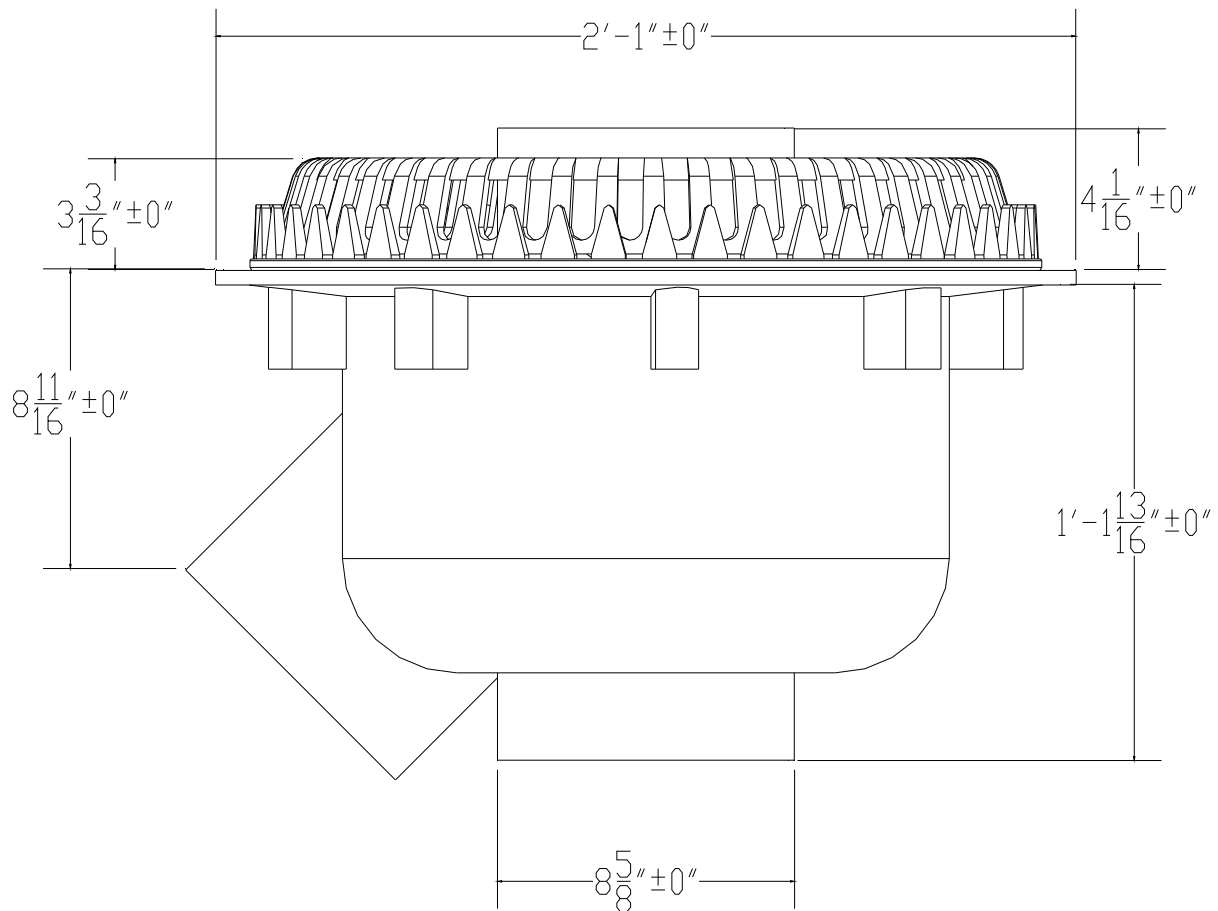
LP	Low Profile	DMP	Deck Mounting Plate
DC	Deck Clamp	OFS	Over Flow Strainer
DP	Drain Pan		
ADC	Alternate Deck Clamp		

Specifications subject to change without notice

Froet Drain® Bi-Functional Roof Drain 100C8

Patent # US6594966

100C8-LP



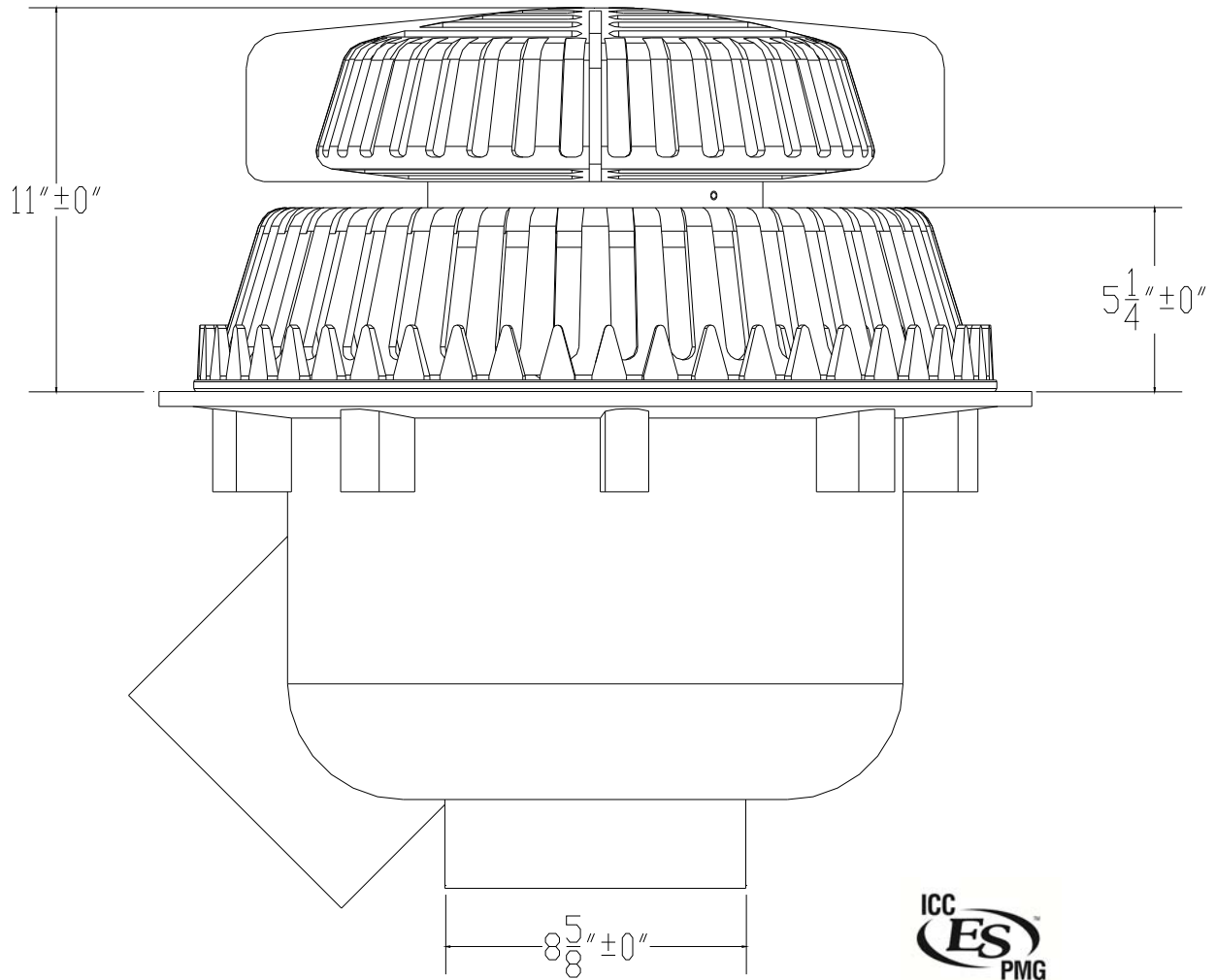
LP	Low Profile	DMP	Deck Mounting Plate
DC	Deck Clamp	OFS	Over Flow Strainer
DP	Drain Pan		
ADC	Alternate Deck Clamp		

Specifications subject to change without notice

Froet Drain® Bi-Functional Roof Drain 100C8

Patent # US6594966

100C8-OFS



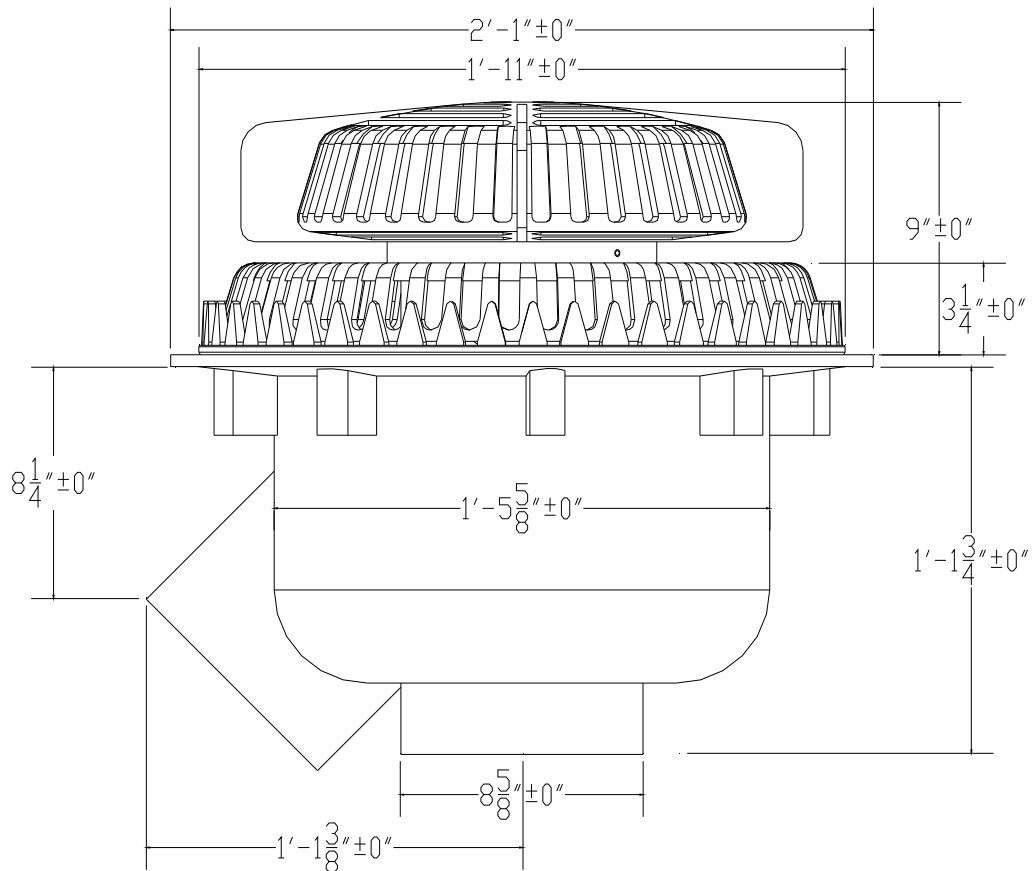
LP	Low Profile	DMP	Deck Mounting Plate
DC	Deck Clamp	OFS	Over Flow Strainer
DP	Drain Pan		
ADC	Alternate Deck Clamp		

Specifications subject to change without notice

Froet Drain® Bi-Functional Roof Drain 100C8

Patent # US6594966

100C8LP-OFS



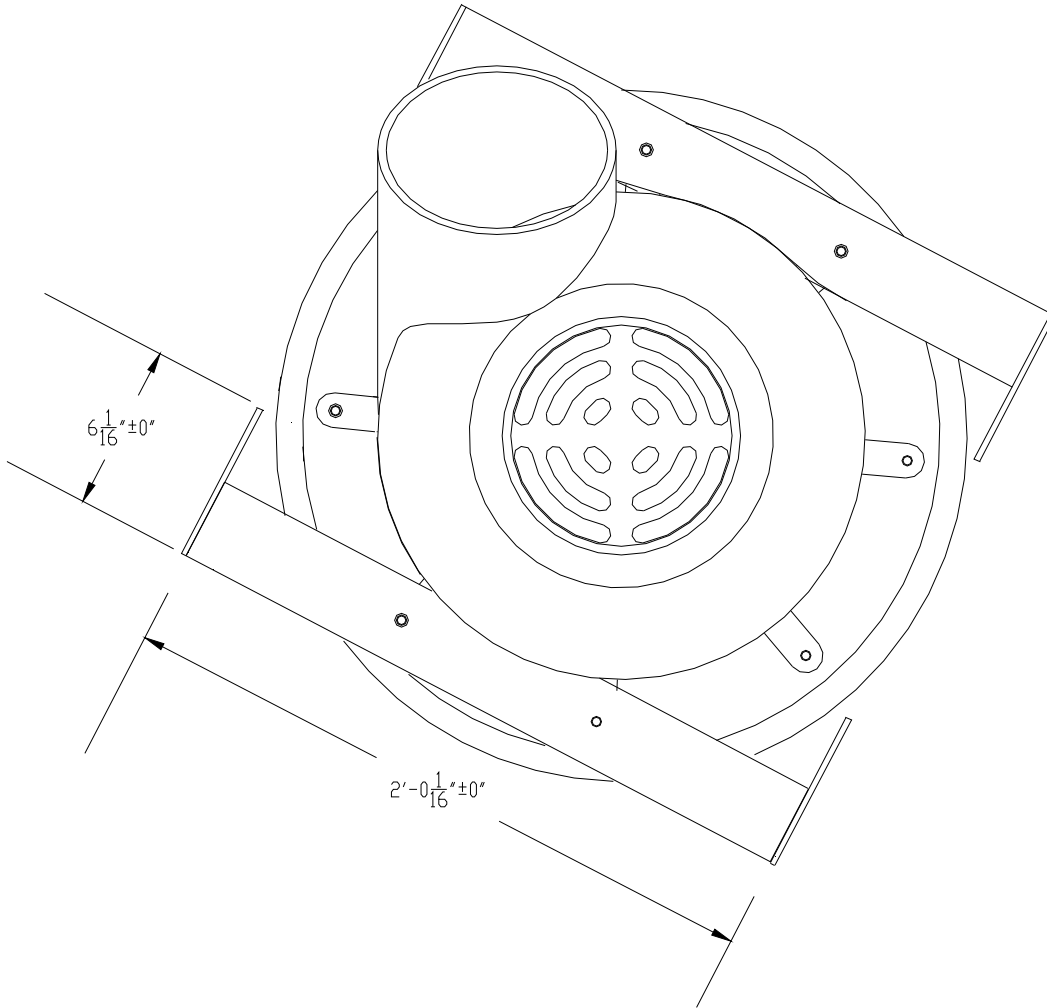
LP	Low Profile	DMP	Deck Mounting Plate
DC	Deck Clamp	OFS	Over Flow Strainer
DP	Drain Pan		
ADC	Alternate Deck Clamp		

Specifications subject to change without notice

Froet Drain® Bi-Functional Roof Drain 100C8

Patent # US6594966

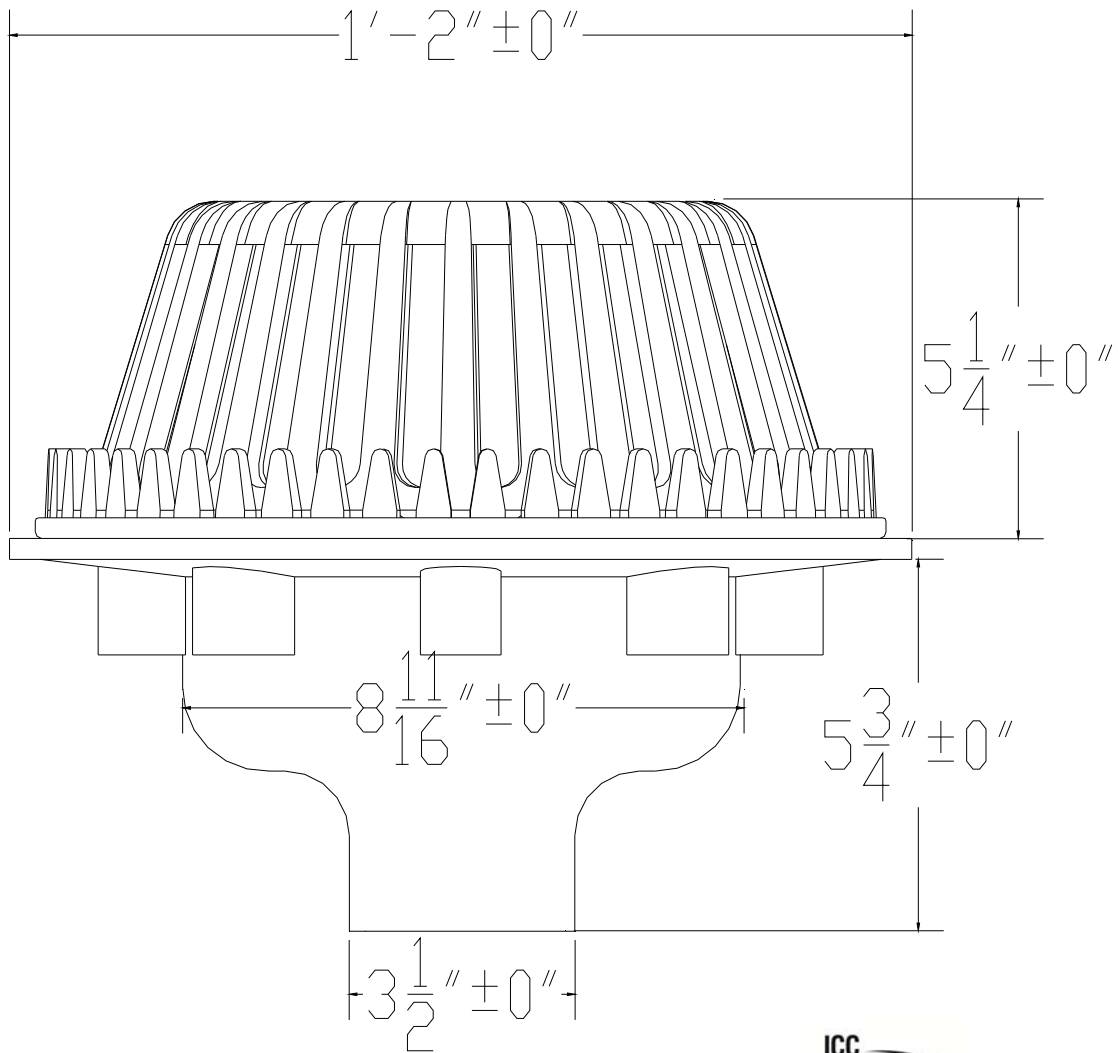
100C8-DC



LP	Low Profile	DMP	Deck Mounting Plate
DC	Deck Clamp	OFS	Over Flow Strainer
DP	Drain Pan		
ADC	Alternate Deck Clamp		

Specifications subject to change without notice

Froet Standard Roof Drain 200C3

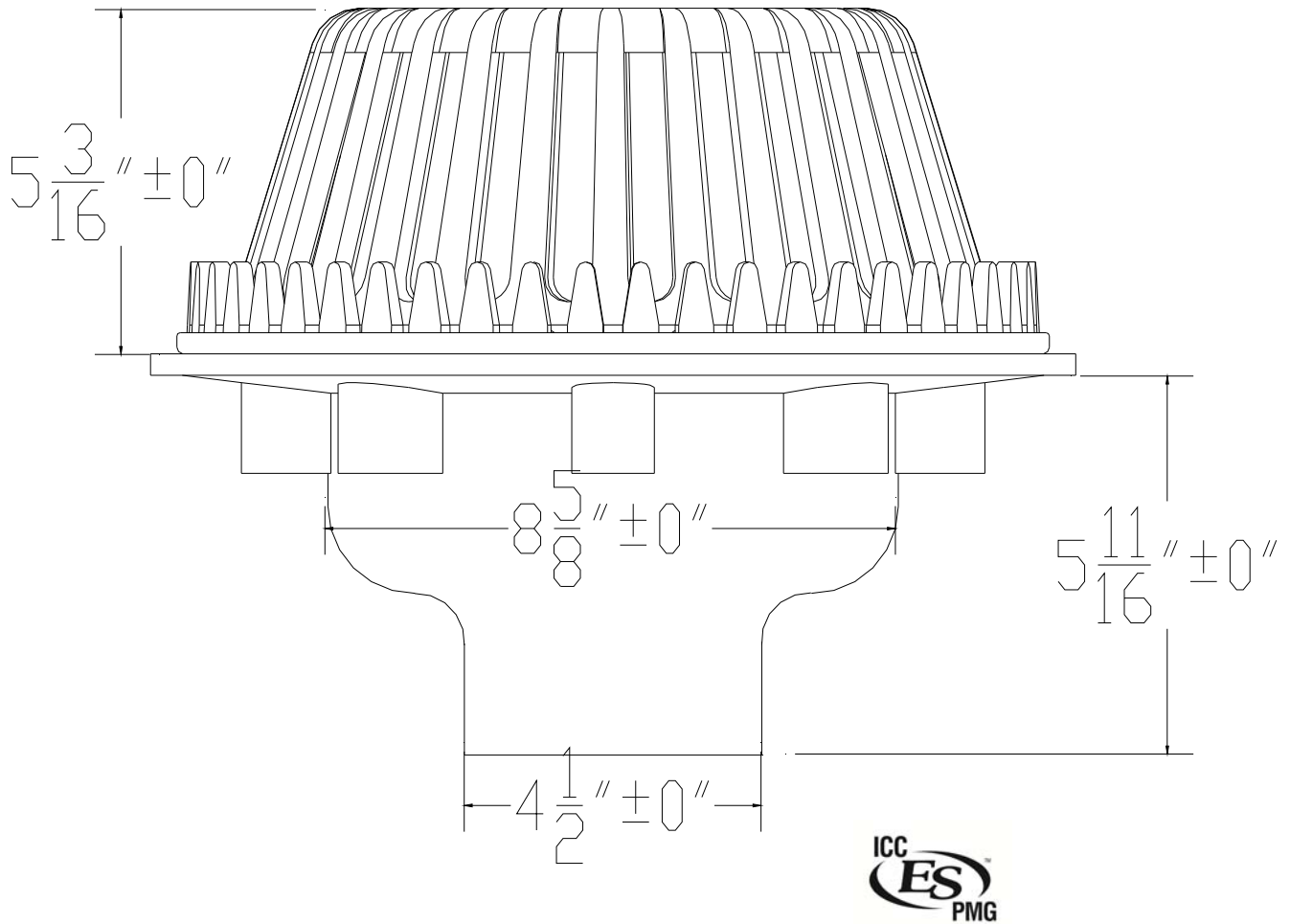


DC	Deck Clamp	FR	Finishing Ring
DEX-2	2" Ring Extension	IG	IRMA Roof Guard
DEX-4	4" Ring Extension	SP	Sump Drain Pan
DEX-6	6" Ring Extension	DMP	Deck Mounting Plate
DP	Drain Pan	CFW	Control Flow Weir
ADC	Alternate Deck Clamp	WD 2	2" High Overflow Water Dam

Specifications subject to change without notice

Froet Industries LLC - P.O. Box 787 -1741 Industrial Drive-Sterling, Illinois 61081 - ph.815.626.7922 fx.815.626.0702
www.froetindustries.com

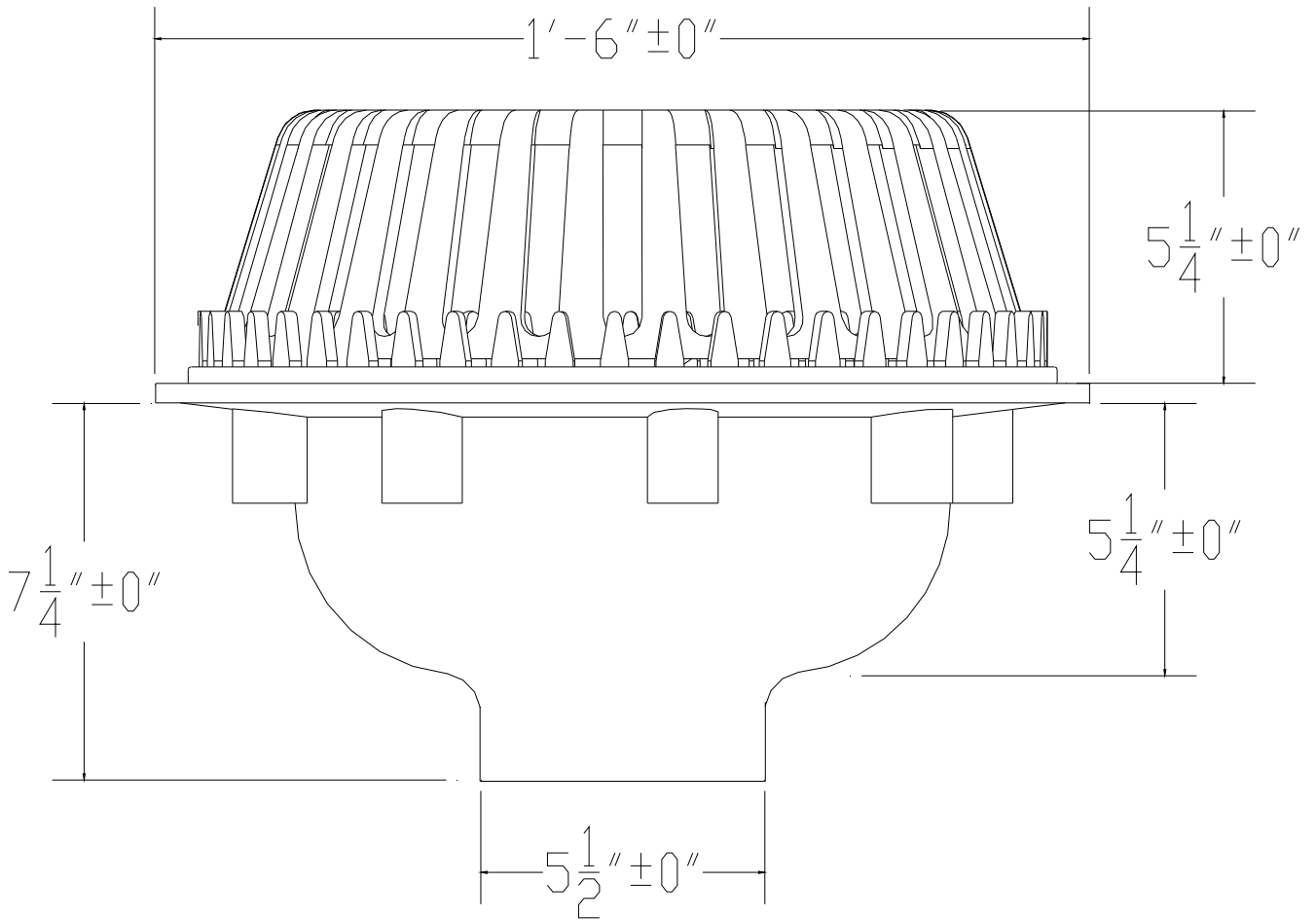
Froet Standard Roof Drain 200C4



DC	Deck Clamp	FR	Finishing Ring
DEX-2	2" Ring Extension	IG	IRMA Roof Guard
DEX-4	4" Ring Extension	SP	Sump Drain Pan
DEX-6	6" Ring Extension	DMP	Deck Mounting Plate
DP	Drain Pan	CFW	Control Flow Weir
ADC	Alternate Deck Clamp	WD 2	2" High Overflow Water Dam

Specifications subject to change without notice

Froet Standard Roof Drain 200C5

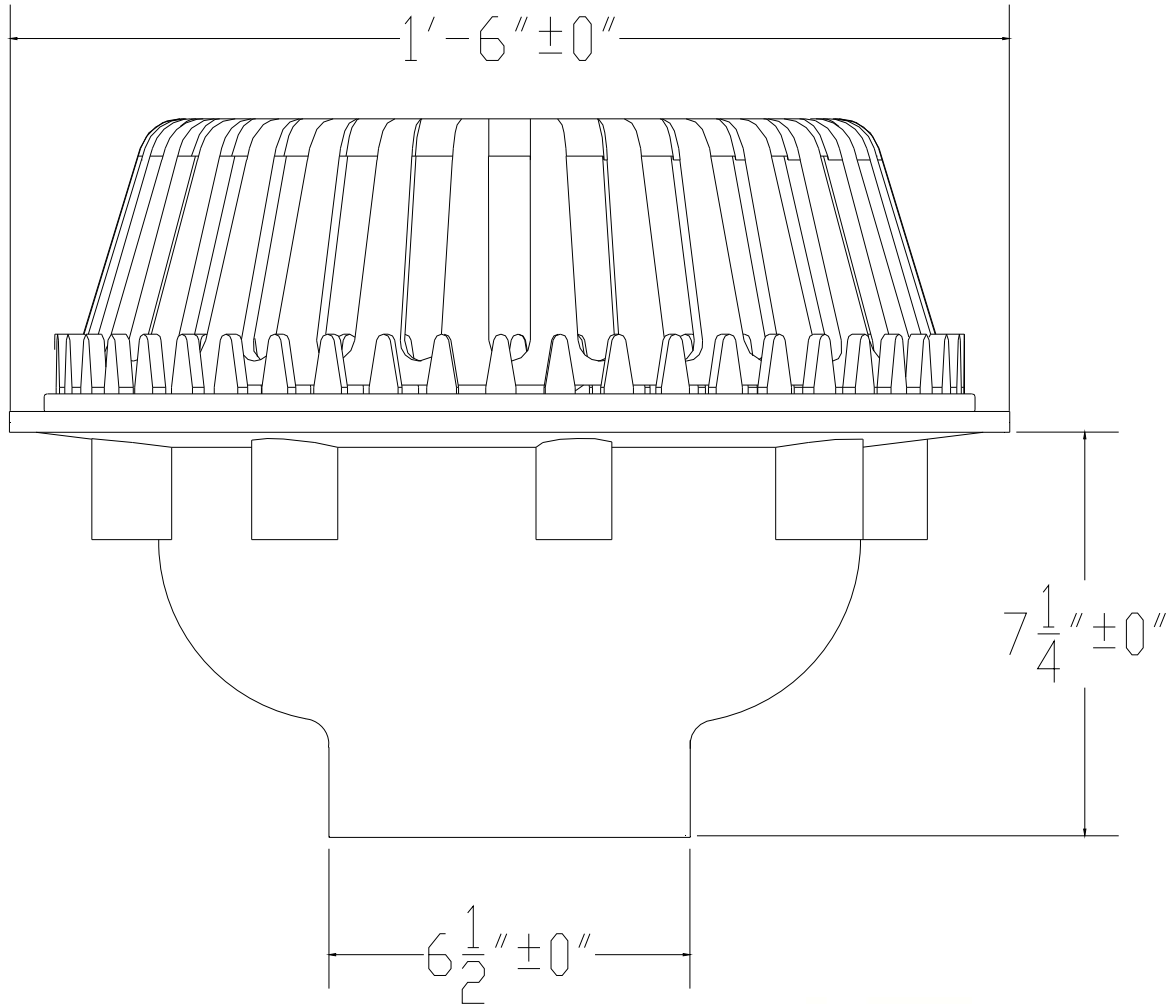


DC	Deck Clamp	FR	Finishing Ring
DEX-2	2" Ring Extension	IG	IRMA Roof Guard
DEX-4	4" Ring Extension	SP	Sump Drain Pan
DEX-6	6" Ring Extension	DMP	Deck Mounting Plate
DP	Drain Pan	CFW	Control Flow Weir
ADC	Alternate Deck Clamp	WD 2	2" High Overflow Water Dam

Specifications subject to change without notice

Froet Industries LLC - P.O. Box 787 -1741 Industrial Drive-Sterling, Illinois 61081 - ph.815.626.7922 fx.815.626.0702
www.froetindustries.com

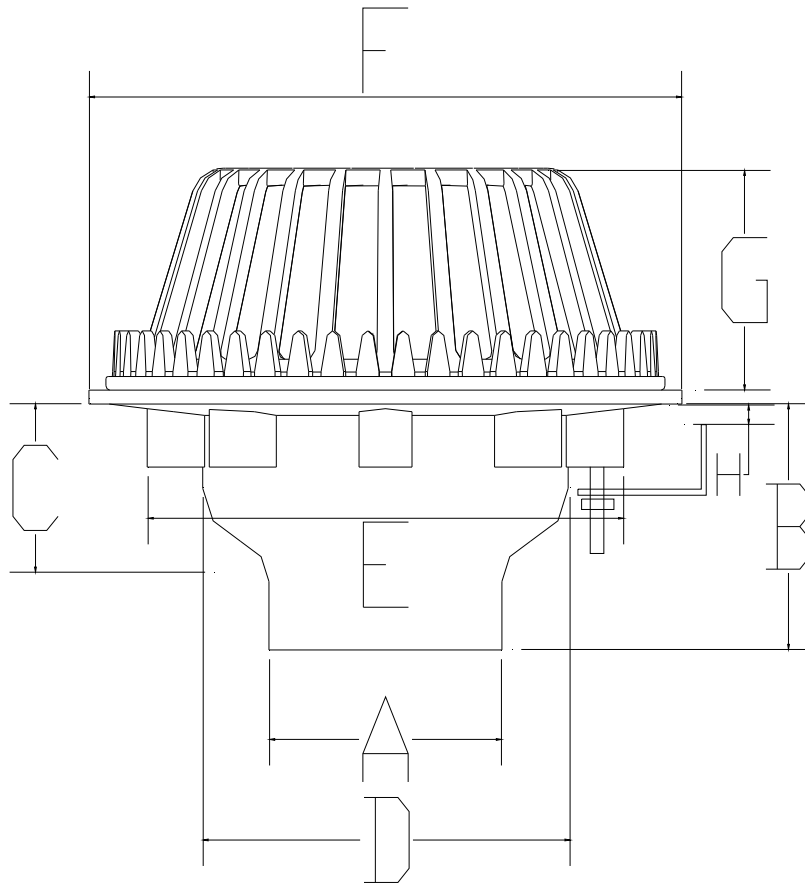
Froet Standard Roof Drain 200C6



DC	Deck Clamp	FR	Finishing Ring
DEX-2	2" Ring Extension	IG	IRMA Roof Guard
DEX-4	4" Ring Extension	SP	Sump Drain Pan
DEX-6	6" Ring Extension	DMP	Deck Mounting Plate
DP	Drain Pan	CFW	Control Flow Weir
ADC	Alternate Deck Clamp	WD 2	2" High Overflow Water Dam

Specifications subject to change without notice

Froet Standard Roof Drain 200C(5,6,8)LD



Please note: The LD drains all have a 8" dia. sump these drains match the other drains in the industry these do not flow as well as our standard drains. Froet recommends that the sump be twice the pipe dia.

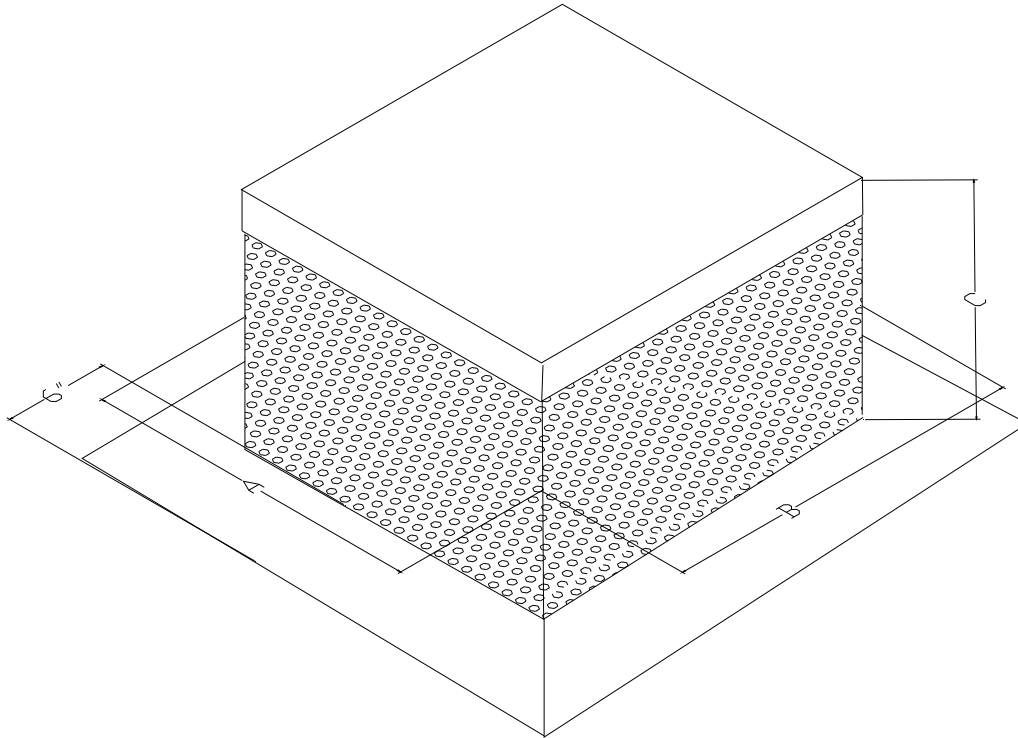
A-size	B-Overall Depth	C-Sump Depth	D-Sump OD	E-Boss OD	F-Diameter	G-Strainer	H-Deck Clamp MIN	Free Area SQ IN
5" (5.5" OD)	6.11"	4.50"	8.62"	11.25"	14"	5.23	none	93.3
6" (6.5" OD)	6.11"	4.26"	8.62"	11.25"	14"	5.23	none	93.3
8" (8.5" OD)	6.00"	6.00"	8.62"	11.25"	14"	5.23	none	93.3

DC	Deck Clamp	FR	Finishing Ring
DEX-2	2" Ring Extension	IG	IRMA Roof Guard
DEX-4	4" Ring Extension	SP	Sump Drain Pan
DEX-6	6" Ring Extension	DMP	Deck Mounting Plate
DP	Drain Pan	CFW	Control Flow Weir
ADC	Alternate Deck Clamp	WD 2	2" High Overflow Water Dam

Specifications subject to change without notice

Froet Stainless Steel Green Roof Box

Part Number	A	B	C
S/S GRB 3/4	16"	16"	12"
S/S GRB 5/6	20"	20"	12"
S/S GRB 8	28"	28"	12"

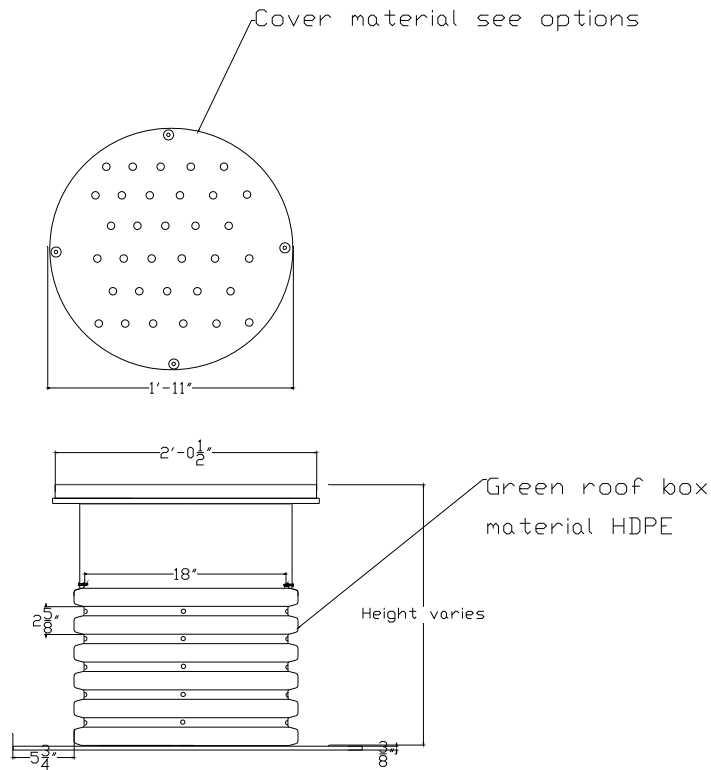


The Stainless Steel Green Roof Boxes are available in many configurations. The vertical sides are perforated. The tops are available in a solid top (no step) or a heel proof grate of either S/S or Alum. We also can do a custom configuration if needed for your project. Using a green roof box for a green roof that utilizes a drainage mat is the only functional way of draining the roof. If a drain is used that has an enclosure that is directly attached to the drain and does not sit on the drainage mat and allow free flow of the drainage water into the drain without passing thru the enclosure can cause serious restrictions and possible total drainage failure. The drainage mat must be allowed to free flow to the drain.

ST	Standard Top S/S (no step)	H2	Double Height 24"
GTS	Heel Proof Grate S/S	H3	Triple Height 36"
GTA	Heel Proof Grate Alum	CH	Custom Height

Specifications subject to change without notice

Froet HDPE Green Roof Box



PLEASE NOTE: The HDPE adjustable green roof box will accommodate all Froet drains except for the 100C8

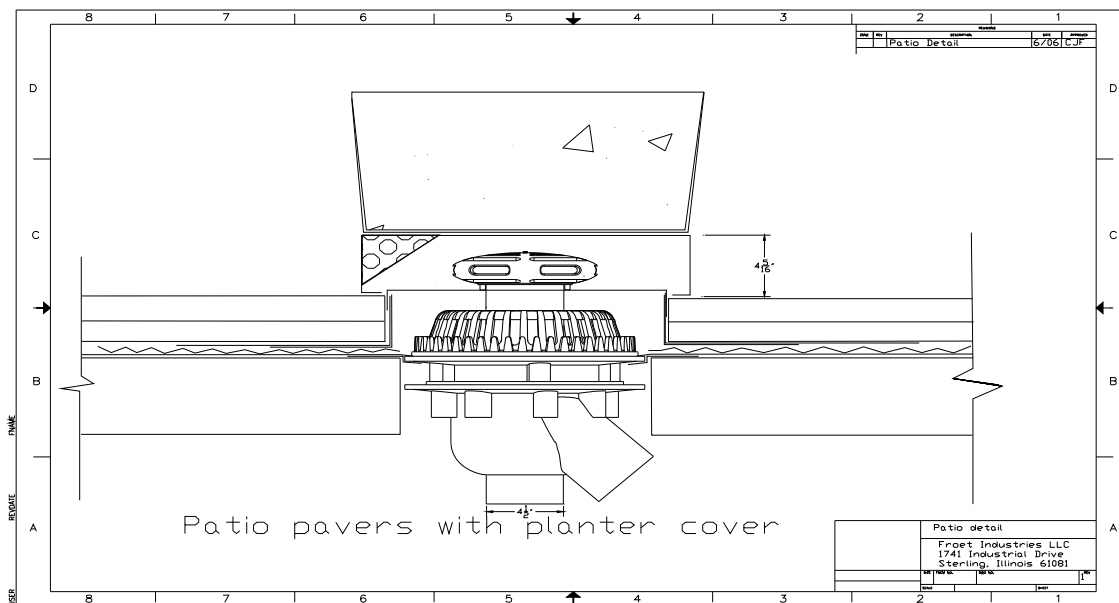
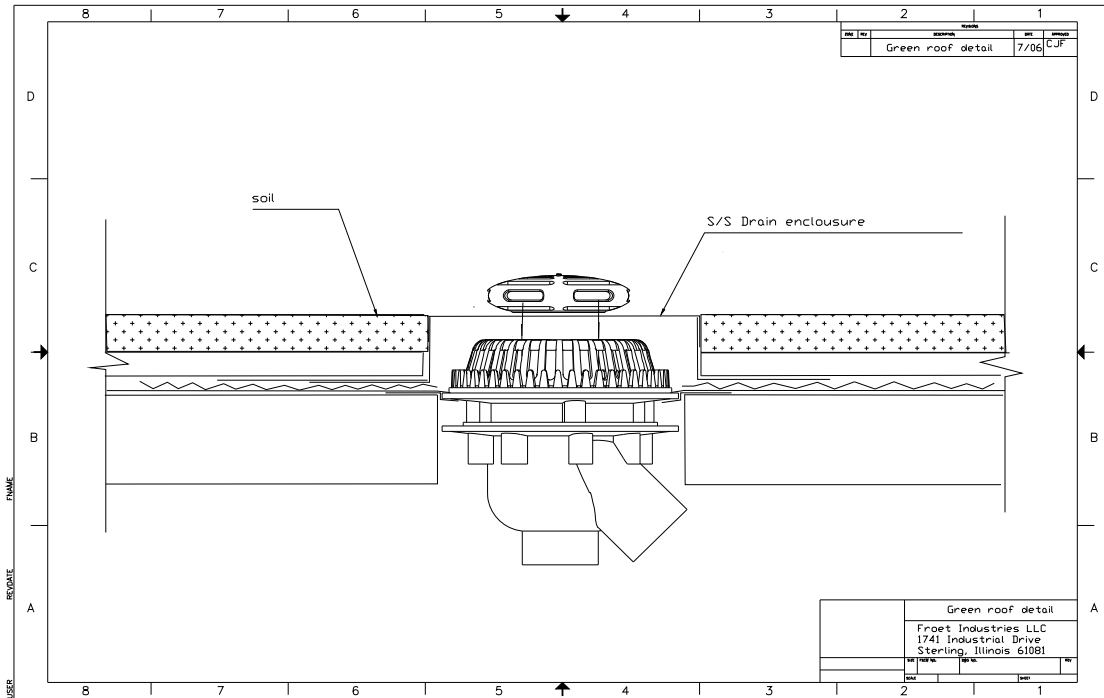
Options

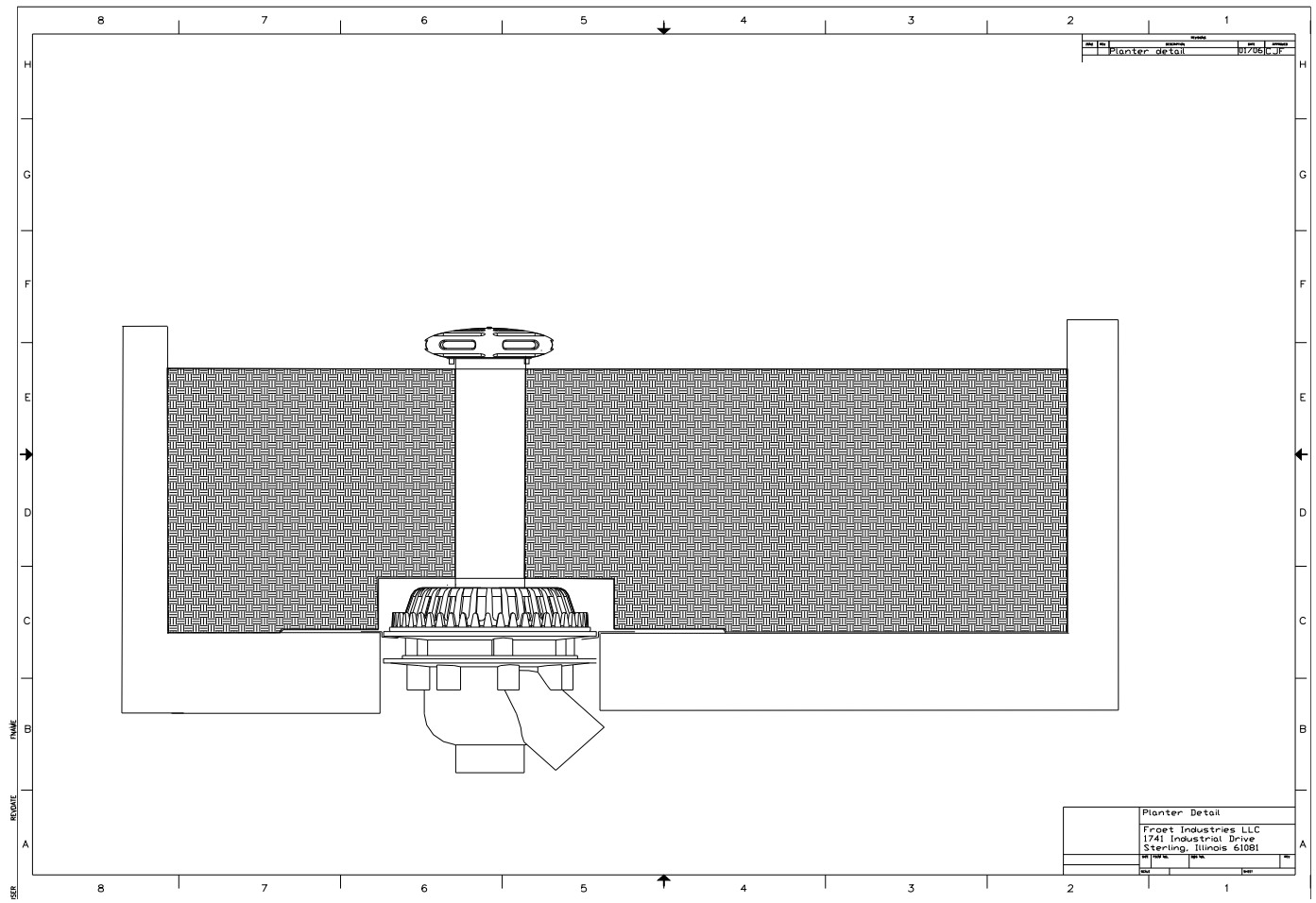
GRBA-1	Adjustable HDPE GRB 14" tall
GRBA-2	Adjustable HDPE GRB 24" tall
GRBA-3	Adjustable HDPE GRB 36" tall
GRBA-4	Adjustable HDPE GRB 48" tall

LP1	HDPE perforated lid	LS2	2000 lbs. load Composite Lid Solid
LS1	HDPE Solid Lid	DW	double wall corrugated
LP2	2000 lbs. load Composite Lid Perforated	RB	S/S recessed barrier

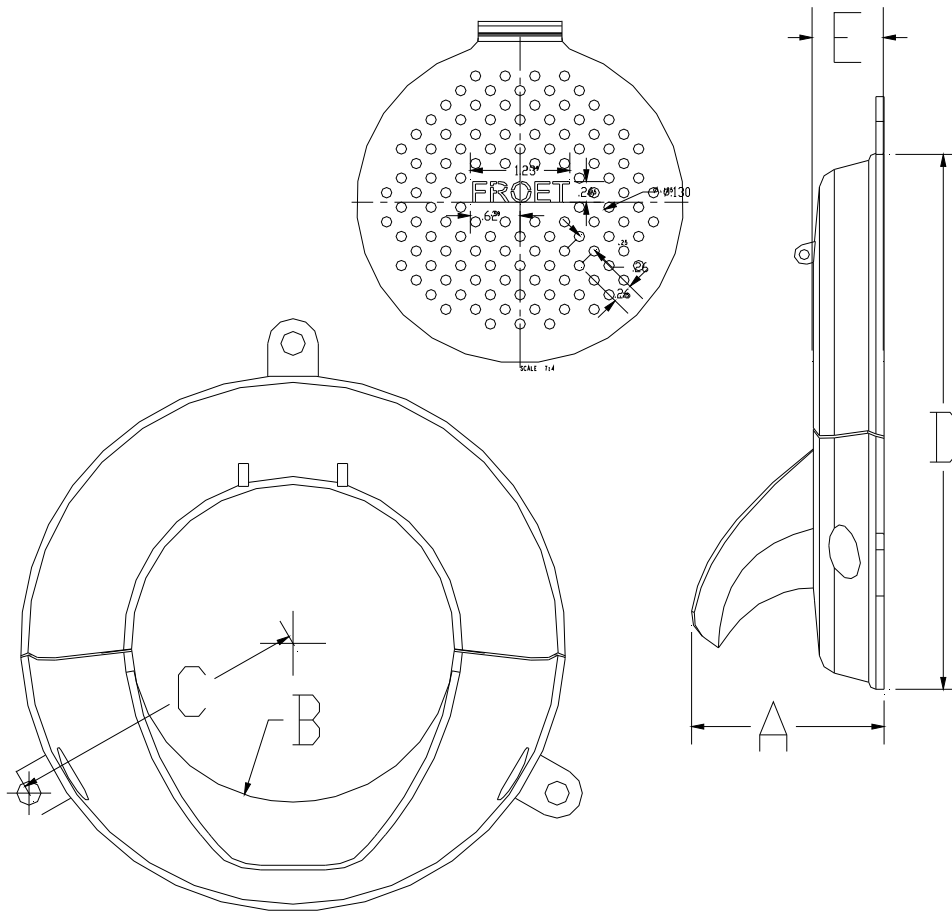
Specifications subject to change without notice

Alternate installations for the Froet Drain® roof drain





Froet Chameleon Downspout Nozzle LSP3,4,6,8



Standard colors

Bone White	38/10070
Sandstone	38/15012
Almond	38/15003
Brick Red	38/30028
Redwood	38/30041
Interstate Blue	38/40025
Military Blue	38/40051
Ivy Green	38/50080
Hartford Green	38/50110
Aged Copper	38/60006
Medium bronze	38/60014
Dark Ano Bronze	38/60090
Sky grey	38/70048
Satin Grey	38/70049
Koko Brown	38/80018
Jet Black	38/80020

Options	
	Flapper
	Color

Spout size	A	B	C	D	E
3"	2.5"	R1.5"	3.27	5.75	.875
4"	2.5"	R2"	3.77	6.75	.875
6"	2.5"	R3"	4.77	8.75	.875
8"	2.5"	R4"	12.63"	10.85	.875

Specifications subject to change without notice

Product Information and Design Criteria

Purpose of Roofs

The roof provides the building and its contents protection from the elements. It also provides drainage of storm water to the various drainage systems,(roof drains, scuppers and gutters) and directs it to the ground, retention ponds or storm sewer.

The roof structure transfers the combined weight of live and dead loads to the support members. (Live loads include snow, rain, wind, moving installation equipment, etc. Dead loads include HVAC units, roof drains, roofing system and the deck itself.)

Types of Roof Decks

- “ Steel roof decks
- “ Prestressed concrete roof decks
- “ Poured gypsum concrete roof decks
- “ Precast concrete panel roof decks
- “ Lightweight insulating concrete roof decks
- “ Reinforced concrete roof decks
- “ Cement-wood fiber panel decks
- “ Thermo-setting insulating fill roof decks
- “ Wood plank or plywood roof decks

Roof Types

- “ Single ply (EPDM, PVC, CSPE, TPO, etc.)
- “ Coal-tar pitch built-up
- “ Asphalt built-up
- “ Modified bitumen

Roofing System Design-The following information is provided for informational purposes only and not to be interpreted as a roofing specification. Modern roofing systems have different and unique criteria for their design.

1. The coal-tar and low melting point asphalt roofing systems need to be designed with low or no slope to prevent sagging of the roofing system and the bitumen flowing into the drainage system and causing a restriction.
2. With the introduction of white roofing systems and the Energy Star compliance increased slopes of roofing systems are desired to drain the water from the roofing system and not allow ponding water to stain the roofing system or promote mold growth.
3. A roof pitched properly to drain is usually designed for a loading of thirty pounds per square foot. A roof that backs up water both by design or by improper drain placement can be loaded in excess of this design factor and cause failure.
4. A roof must be designed in conjunction with the roof drainage equipment serving it. It is necessary to correlate the type roof specified with proper and adequately sized drains.
5. A dead level roof should be avoided unless its aspects are carefully detailed on plans and in specifications.
6. A roof drain selected for the installation must be designed to securely hold all plies regardless of thickness and should be recessed below the roof level in a properly designed sump.
7. Roof drains should be clearly detailed and located on plans to avoid ponding or pool formation. It is advisable to tie small outlet drains into large ones by running horizontal lines under the deck to the vertical leaders.

8. Specify overflow relief for parapet roofs. An overflow should be provided for each roof drain and it should be at the height stipulated by the local building code. This precaution is essential if the roof is used as a reservoir. In effect, such roofs become small lakes and are subject to wind action. Overflow relief omission or inadequacy can cause water build-up beyond load safety factor
9. Maintenance: The multipurpose roof or deck area so prevalent in modern buildings places a burden on the owner to maintain it properly. Such roofs and promenade areas are subject to build-up of debris at the roof drains causing improper drainage. Low maintenance costs can be achieved by carefully specifying the proper drain for each area, and by using an adequate number of drains to insure the removal of water.
10. Roof drains should be located as far from columns as possible so as the building settles with age the slope will increase.
11. Drains and stacks should be at least six foot from perimeter edges to allow for a proper sump and help protect maintenance workers from fall dangers.
12. All roof drains should be installed below finished roof level in a properly designed sump to promote good drainage.

How to Select a Roof Drain

- “ Local code requirements
- “ Type of roof construction
- “ Roof Pitch
- “ Volume of expected rainfall for the areas. (Table 1)
- “ Desired rate of drainage
- “ Roof load and safety overflow requirements
- “ Roof drain size

Sizing and Quantities

As a first step in the sizing procedure it will be necessary to determine the quantity and placement of the drains required for the roof. Even though there are a number of opinions regarding roof areas that can be effectively drained by one drain, it is recognized that for minimized ponding with adequate drainage, two roof drains are required for roof areas of 10,000 square feet or less, and at least one drain is required per 10,000 square feet of area for larger roofs. Individual judgment will be necessary when considering quantity and placement of drains on roofs where shape and size of sections may require departure from the 10,000 square feet per drain recommendation.

In the replacement of drains, uniform distribution is desirable for proper roof drainage. Also, careful consideration of roof structural members, dividers, expansion joints, and other projections including rooftop equipment is essential in planning the roof drainage system for adequate drainage of each area of the roof.

Consultation with the architect and structural engineer regarding roof details is recommended.

Selecting Drain Size and Quantity

Example:

1. Total roof area- 350' by 425' = 148750 sq. ft.
2. Rate of rainfall- Chicago IL = 3"
3. 4" leaders will be used
4. From Table 1- one 4" leader will handle 6130 sq. ft.
5. Quantity of roof leaders will be 25 (148750 sq. ft. divided by 6,130 sq. ft.)

Table 1

Leaders Pipe size (inches)	Roof Area Drained (sq-ft) verse Hourly Rainfall in Inches							
	1	2	3	4	5	6	7	8
2	2,880	1,440	960	720	575	480	410	360
3	8,880	4,400	2,930	2,200	1,760	1,470	1,260	1,100
4	18,400	9,200	6,130	4,600	3,680	3,070	2,630	2,300
5	34,600	17,300	11,530	8,650	6,920	5,765	4,945	4,325
6	54,000	27,000	18,000	13,500	10,800	9,000	7,715	6,750
8	116,000	58,000	38,680	29,000	23,300	19,315	15,570	14,500

Table 2

Allowable Flow in G.P.M.				
Pipe Size	Vertical Leader	Horizontal Storm Drain Slope Per foot		
		1/8"	1/4"	1/2"
2	30	12	17	24
3	90	36	51	72
4	192	78	111	157
5	348	142	201	284
6	566	231	327	462
8	1220	498	705	996
10	2200	902	1275	1804
12	-	1467	2067	2934
15	-	2666	3776	5332

Steps for Calculating Drainage Requirements using G.P.M.

- Use the following formula to Determine G.P.M.
 $G.P.M. = .0104 \times I \times A$
 G.P.M. = Gallons per minute
 I = Rainfall intensity- inches/hour
 A = Roof area- square feet
 .0104 = Conversion factor- G.P.M./sq. ft. for one (1) inch/hr. rainfall
- Example:
 a. 3" rainfall in./hr.
 b. 148,750 sq. ft. roof area
 c. $G.P.M. = .0104 \times 3 \times 148,750 \text{ sq. ft.} = 4641$
 G.P.M. (use 4650)
- Refer to table 2: a 4" leader will handle 192 G.P.M. 4650 divided by 192= 24.21 or 25 vertical leaders required.

Vertical walls

Vertical walls that project above the roof and permit storm water to drain on to the roof must be considered when planning for the roof drainage system. The accepted rule to follow is to add one half of the area of the vertical wall that diverts rainwater to the roof and add that amount to the total drainage area.

Please note:

The above information is based on the National Plumbing Code. Always consult your local code for specific design criteria. Leader size is to be determined by the design professional based on building plan design and job site conditions. The installation of multiple smaller drains as apposed to a couple larger drains increases the safety of the drainage system. Drains should be spaced for uniform drainage.

Disclaimer

Seller warrants that the Froet Drain® roof drain will be of the kind and quality described in the order and product literature and will be free of defects in workmanship or material. However, Seller does not warrant the application and use of the drain based upon the structural design and installation on a particular project. Careful consideration must be placed on the actual design of the structure when determining the burden of the overflow water.

Based on a storm of one hour duration and a 100-year return period. Source: National Weather Service, National Oceanic and Atmospheric Administration, Washington, DC.

ALABAMA

Birmingham 3.8
Huntsville 3.6
Mobile 4.6
Montgomery 4.2

ALASKA

Fairbanks 1.0

Juneau 0.6

ARIZONA

Flagstaff 2.4
Nogales 3.1
Phoenix 2.5
Yuma 1.6

ARKANSAS

Fort Smith 3.6
Little Rock 3.7
Texarkana 3.8

CALIFORNIA

Barstow 1.4
Crescent City 1.5
Fresno 1.1
Los Angeles 2.1
Needles 1.6
Sacramento 1.6
San Diego 1.3
San Francisco 1.5

COLORADO

Denver 2.4
Durango 1.8
Grand Junction 1.7
Pueblo 2.5

CONNECTICUT

Hartford 2.7
New Haven 2.8

DELAWARE

Georgetown 3.0
Wilmington 3.1

DISTRICT OF COLUMBIA

Washington 3.2

FLORIDA

Jacksonville 4.3
Key West 4.3
Miami 4.7
Pensacola 4.6
Tampa 4.5

GEORGIA

Atlanta 3.7
Macon 3.9
Savannah 4.3
Thomasville 4.3

HAWAII

Hilo 6.2
Honolulu 3.0

IDAHO

Boise 0.9
Pocatello 1.2

ILLINOIS

Cairo 3.3
Chicago 3.0
Peoria 3.1
Springfield 3.3

INDIANA

Evansville 3.2
Fort Wayne 2.9
Indianapolis 3.1
South Bend 3.0
Terre Haute 3.2

IOWA

Burlington 3.3
Davenport 3.3
Des Moines 3.5
Dubuque 3.3
Sioux City 3.6

KANSAS

Atwood 3.3
Dodge City 3.4
Topeka 3.7
Wichita 3.7

KENTUCKY

Ashland 3.0
Bowling Green 3.2
Lexington 3.1
Louisville 3.2
Middlesboro 2.8
Paducah 3.3

LOUISIANA

Baton Rouge 4.8
Lake Charles 4.7
New Orleans 4.8
Shreveport 3.9

MAINE

Bangor 2.2
Caribou 2.0

MARYLAND

Baltimore 3.2
Hagerstown 2.8
Salisbury 3.1

MASSACHUSETTS

Boston 2.5
New Bedford 2.6
Pittsfield 2.8
Springfield 2.7

MICHIGAN

Alpena 2.5
Detroit 2.8
Escanaba 2.4
Grand Rapids 2.8
Lansing 2.8
Marquette 2.4
Sault Ste. Marie 2.2

MINNESOTA

Duluth 2.6
Grand Forks 2.5
Minneapolis 3.0
Worthington 3.4

MISSISSIPPI

Biloxi 4.7
Columbus 3.9
Jackson 4.0
Natchez 4.4

MISSOURI

Columbia 3.3
Kansas City 3.6
St. Louis 3.3
Springfield 3.4

MONTANA

Billings 1.9
Havre 1.6
Helena 1.5
Missoula 1.3

NEBRASKA

Grand Island 3.5
Omaha 3.8
Sidney 3.2

Valentine 3.2

NEVADA

Carson City 1.1
Elko 1.0
Las Vegas 1.5

NEW HAMPSHIRE

Berlin 2.5
Claremont 2.5
Portsmouth 2.4

NEW JERSEY

Atlantic City 3.0
Newark 3.1
Trenton 3.1

NEW MEXICO

Albuquerque 2.0
Hobbs 3.0
Las Cruces 2.0
Santa Fe 2.0

NEW YORK

Albany 2.6
Binghamton 2.3
Buffalo 2.3
New York 3.0

Syracuse 2.3

Watertown 2.2

NORTH CAROLINA

Asheville 4.1
Charlotte 3.7
Greensboro 3.5
Raleigh 3.7
Wilmington 4.2

NORTH DAKOTA

Bismarck 2.8
Fargo 3.2
Grand Forks 3.0
Williston 2.6

OHIO

Cincinnati 3.0
Cleveland 2.8
Columbus 2.8
Toledo 2.8
Youngstown 2.7
Zanesville 2.8

OKLAHOMA

Oklahoma City 3.8
Tulsa 3.8

OREGON

Medford 1.4
Pendleton 1.0
Portland 1.3

PENNSYLVANIA

Erie 2.6
Harrisburg 2.8
Philadelphia 3.1
Pittsburgh 2.6
Scranton 2.7
Williamsport 2.6

RHODE ISLAND

Providence 2.6

SOUTH CAROLINA

Charleston 4.3
Columbia 4.0
Greenville 4.2

SOUTH DAKOTA

Aberdeen 3.3
Pierre 3.2
Rapid-City 2.9
Sioux Falls 3.6

TENNESSEE

Chattanooga 3.5
Knoxville 3.2
Memphis 3.7
Nashville 3.3

TEXAS

Abilene 3.6
Amarillo 3.5
Brownsville 4.5
Corpus Christi 4.5
Dallas 4.0
El Paso 2.4
Houston 4.6
Lubbock 3.3
Odessa 3.2
San Antonio 4.2
Tyler 3.9

UTAH

Cedar City 1.6
Salt Lake City 1.3

VERMONT

Brattleboro 2.5
Burlington 2.2

VIRGINIA

Bristol 2.7
Charlottesville 2.9
Norfolk 3.4
Richmond 3.3
Roanoke 3.2

WASHINGTON

Bellingham 1.1
Seattle 1.1
Spokane 1.0
Yakima 1.0

WEST VIRGINIA

Charleston 2.8
Elkins 2.7
Parkersburg 2.8

WISCONSIN

Ashland 2.5
Eau Claire 3.0
Green Bay 2.5
La Crosse 3.1
Madison 3.0
Milwaukee 3.0

WYOMING

Casper 1.9
Cheyenne 2.2
Rock Springs 1.3
Sheridan 1.7
Yellowstone Park 1.

GENERAL TERMS AND CONDITIONS

FREIGHT ALLOWANCE: F.O.B. Sterling, Illinois, with full motor freight allowed on shipments of 25 drains or more, within the Continental U.S.A., except Alaska, Hawaii, and Puerto Rico. We reserve the right to select the carrier and to route the shipment at our discretion. There is no allowance for Parcel Post, United Parcel Service or shipments by air.

TERMS: 30 days net unless prior approved special terms. Invoices not paid 30 days after invoice date will be subject to 1-1/2% service charge applied monthly. Minimum invoice: \$25.00 net. Confirmed irrevocable letter of credit or cash in advance of shipment is required for accounts without an established line of credit.

DEBTS, CREDITS, DEDUCTIONS, RETURNS: All items in these categories must first be referred to Credit Department for APPROVAL and prompt handling. All items in these categories must be accompanied with a photocopy of the invoice on which the material was charged.

QUOTATION TERMS: List price and discount are protected for 45 days from **Bid Due Date**. If an order is received within this period, the material must be released within 90 days from date of order; otherwise, prices will be those in effect at the time of shipment.

ORDER ACCEPTANCE: All catalogs, price lists, literature or other material describing our products are not to be construed as offers to sell same. Orders are subject to acceptance by our office in Sterling, Illinois. Your order, when shipped, shall be the complete contract, subject to and incorporating therein the terms and conditions herein contained, and any inconsistent provisions contained in your order shall not apply. Prices and discounts contained in any of our catalogs, price lists or other literature are subject to change without notice.

CANCELLATION: Orders are not subject to cancellation without our written consent. If an order is canceled, the Buyer shall pay all costs incurred with filling the order. Any charges incurred because of cancellation or change of special materials made to order must be paid for by the Buyer. Any items not cataloged by us and made on a special order remain the property of the Buyer and must be paid for.

GUARANTEE/WARRANTY: All Froet Industries LLC products are guaranteed against defective materials and workmanship for a period of one year from the date of purchase. A 25 year warranty is available and must be registered with Froet Industries before claim is made. We will replace, free of charge, any product proven defective that has been properly installed, properly maintained, and used in accordance with recommended instructions. We shall not be responsible for any labor charges or any loss, injury or damages whatsoever, including incidental or consequential damages. The warranty is limited solely to the replacement of the defective goods. **This warranty is in lieu of all other warranties, express, implied in fact or implied by law, including any warranty of merchantability or fitness for a particular purpose, which are hereby expressly disclaimed.**

DELAYS: Froet Industries LLC will not assume any liability for delays or defaults occasioned by strikes, fires, or acts of governmental authorities, failure to obtain materials, or by cause unavoidable beyond its control.

RETURNED GOODS: Material may be returned subject to the following conditions:

1. Must first be referred to Froet Industries LLC for inspection, approval, and prompt handling;
2. Minimum value of \$100.00 net;
3. Credit for parts given only if purchased as parts;
4. Wholesaler must identify original shipment of material by invoice number and invoice date;
5. Prior written permission;
6. 25% restocking fee;
7. Any charges necessary to put the material into saleable condition shall be Buyer's responsibility;

8. Credit will be issued to apply only against future purchases;
9. Outgoing freight will be deducted from the credit;
10. Material must be returned freight prepaid.

ILLUSTRATIONS AND DESCRIPTIONS: All illustrations, submittals, and accompanying descriptions describe standard features of each product and do not necessarily show or describe the variations available. All designs are subject to change without notice, and unless specifically stated on the order, material will be furnished of design in effect at the time the order is filled. All weights are approximate.

RISKS: Our responsibility ceases after the product has been delivered to the carrier in good order. It is the responsibility of the Buyer to inspect each shipment carefully and file a claim with the carrier for any damage or shortage. Content shortages must be reported within 15 days after the receipt of material. Any claim after this time will be disallowed.

SHIPPING DATES: Promise of shipping dates are estimates, but not guaranteed.