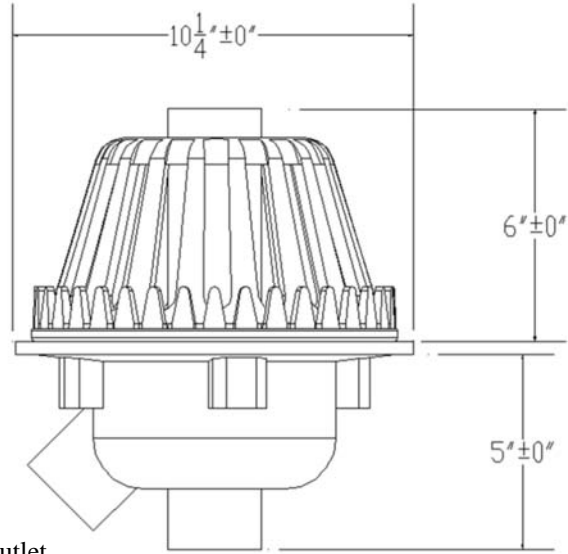


100C2 Froet Drain® roof drain Submittal

The Froet Drain® bi-functional roof drain has two independent systems with two inlets and two outlets. It is to be used in any flat roof construction. All drain parts are cast iron with the exclusion of the overflow riser pipe which is steel. Connections are all no hub.

Installation Tips:

Froet Industries recommends that a sump be created with the insulation to promote flow and prevent ponding due to the height of the drain ring. Any ponding at the roof drain is likely to increase the frequency of the drain strainer becoming obstructed with debris. The roofing contractor needs to install roofing membrane so as to not obstruct the primary sump area



Primary outlet

Overflow outlet

Project Options

	LP	Low Profile
	OFS	Overflow Strainer
	DC	Deck Clamp
	DP	Drain Pan
	DMP	Deck Mounting Plate
	VSS	Vandal Secure Strainer

Standard roof drain supplied with 5 inch high primary strainer and 6 inch high overflow.

Low Profile roof drain supplied with 3 inch high primary strainer and 4 inch high overflow.

Please note: Overflow strainer not included with base drain. The OFS designation must be in part number to include overflow strainer

Please Note: VSS standard with OFS. Optional when not using the OFS.

Project name: _____

Contractor: _____

Gen Cont: _____

Design Firm: _____

Froet Industries LLC 1741 Industrial Drive
Sterling Illinois 61081
ph. 815.626.7922 fax. 815.626.0702
www.froetindustries.com