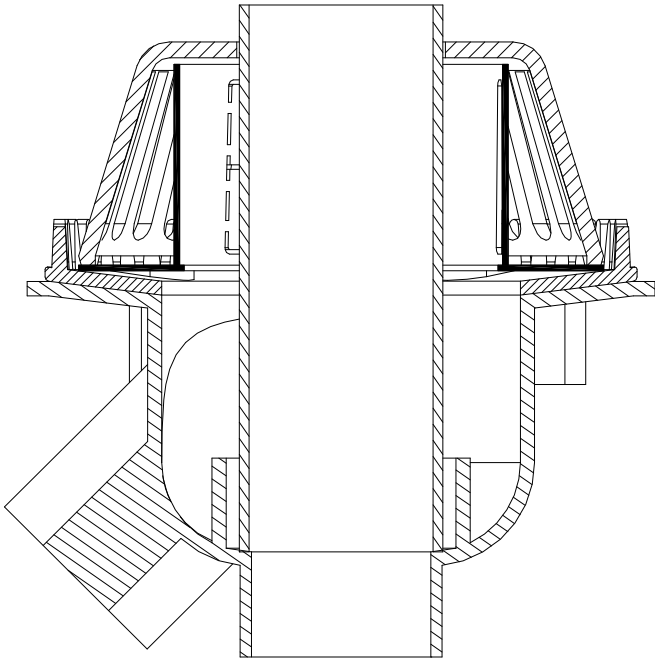


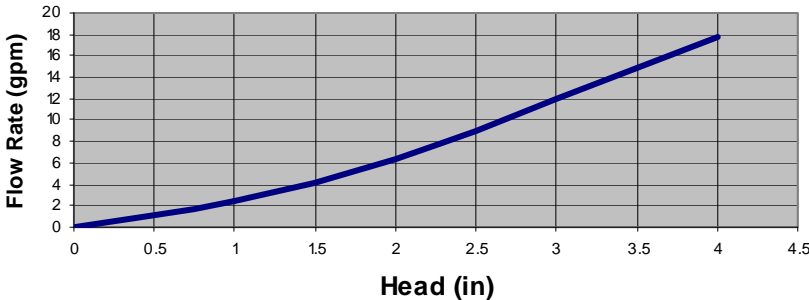
Froet Drain® Bi-Functional Roof Drain 100C4-CFW

Patent #US6594966



The Froet Drain® roof drain with control flow weir can be configured on the job site for the required amount of flow needed. The weir is produced with one weir open. The 3" and 4" bodies have 6 possible weir openings and the 5" and 6" bodies have 8 possible openings. The chart shows the flow thru one weir opening. The design of our weir also allows for removal of the weir assembly from the drain to facilitate cleaning a plugged drain or piping without breaking the seal with the roofing membrane.

Single Slot Flow verse Head



Please note: drain body size will need to be chosen based on the overflow drain requirements. If smaller primary drainage pipe is desired it can be reduced from the drain body outlet

Specifications subject to change without notice