

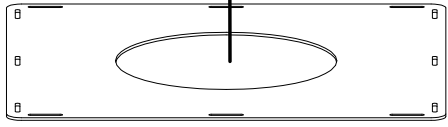
SP - SUMPED  
DRAIN PAN



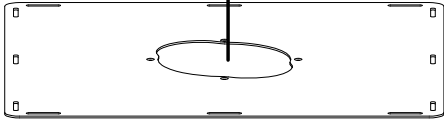
FINISHING  
RING



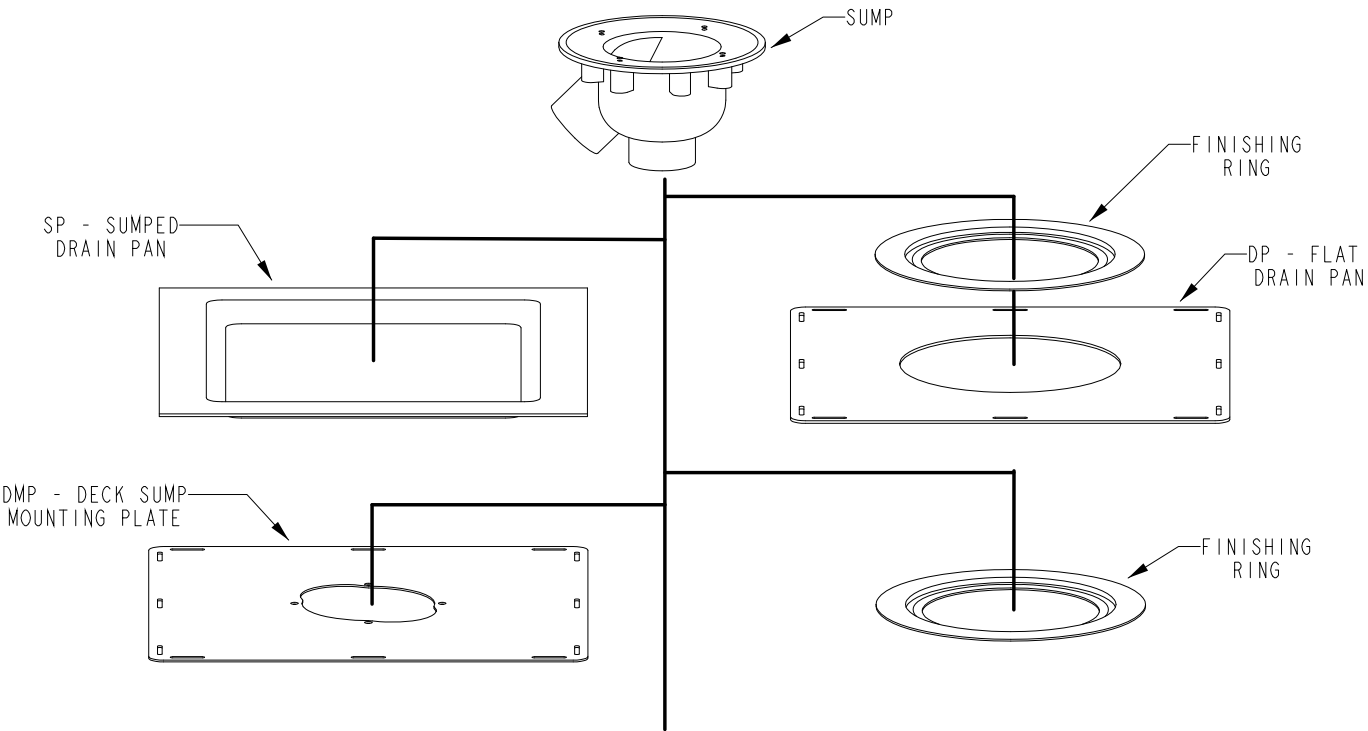
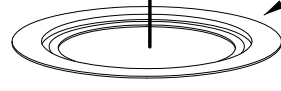
DP - FLAT  
DRAIN PAN



DMP - DECK SUMP  
MOUNTING PLATE



FINISHING  
RING



- OFS- The overflow strainer is an option for the Froet Drain® roof drain. It has a locking set screw. It can't be installed without the primary strainer.
- LP Strainer-is a 3" tall primary strainer used with the Low Profile drain configuration. This strainer or the standard strainer is required for proper function of the drain.
- Standard Strainer-is a 5" tall primary strainer used with the standard profile drain. This strainer or the LP strainer is required for proper function of the drain.
- Drain Ring-The drain ring aka. (membrane clamp, compression ring, sealing ring, flashing clamp). The drain ring also has an integral 1½" tall gravel stop built in. The ring requires the 4 supplied bolts to be evenly tightened to provide equal pressure on the roofing system. This is required for proper operation of the drain.
- DEX(2,4,6)-the extensions are options for thick decks, thick insulation or both. It requires the extension gasket for a watertight seal. The extension will not be properly sealed without the gaskets. The extensions can be installed in single or multiple configurations. The use of an extension will require the appropriate sized overflow pipe in the center of the drain.
- Pipe-the overflow pipe installs into the bottom of the sump with a push gasket. There will be a specific size pipe depending on if it is LP or standard or has any of the extensions. If the configuration is changed after receipt of the drain a new pipe will need to be ordered. The correct size is required for proper operation of the drain.
- Seal- the seal is a standard push gasket it is required for proper operation of the drain.
- Sump- the sump has both a primary outlet and a secondary outlet that are both no hub outlets. When installing the drain keep in mind the direction of the primary outlet to facilitate the shortest distance for the piping.
- Deck Clamp- the deck clamp is used to fasten the drain sump (body) to the deck.
- DP-The Flat Drain Pan aka (sump receiver) is a flat pan that comes complete with and utilizes the finishing ring to set the drain flush with the pan
- SP- The Sumped Pan is a 1 ½" recessed galvanized pan that needs to be field cut to install the drain.
- FR-The Finishing Ring is a recessed ring to allow the drain to be installed flush in the appropriate sized hole in the deck.
- DMP- The Deck Mounting Plate is a mounting pan that bolts directly to the drain body and elevating it 2 ¼" eliminating the need for the deck clamp