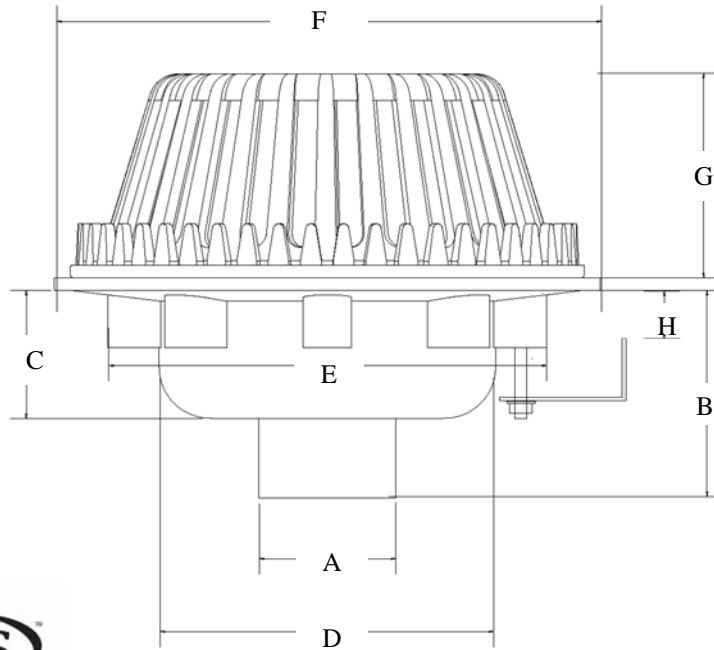


## 200C(3,4,5,6) Primary Roof Drain Submittal

The Froet primary drain is used when overflow protection is handled by thru wall scuppers or gravel stop. Our primary drain is designed around flow testing results. This is the reason we do not call our drains large, this is the size they need to be to work properly. This drain model has more free area close to the roof surface where it is needed most to prevent ponding. The drain ring (membrane clamp) is the widest in the industry to hold the roofing system secure for the life of the roofing system. Like all of our drains these are all cast iron with powder coat finish, there are no cheap plastic domes available .



A-Size	B-Overall Depth	C-Sump Depth	D- Sump OD	E- Boss OD	F- Diameter	G- Strainer	H-Deck Clamp Min.	Free Area SQ IN
3" (3.5"OD)	5.34"	3.30"	8.57"	11.25"	14"	5.23"	none	93.3
4" (4.5"OD)	5.34"	3.30"	8.57"	11.25"	14"	5.23"	none	93.3
5" (5.5"OD)	7.30"	5.25"	12.63"	15"	18"	5.27"	none	130
6" (6.5"OD)	7.30"	5.25"	12.63"	15"	18"	5.27"	none	130

### Project Options

DC	Deck Clamp
ADC	Alternate Deck Clamp
DP	Drain Pan
DMP	Deck Mounting Plate
SP	Sumped Pan
DEX-2	2" Extension
DEX-4	4" Extension
DEX-6	6" Extension
FR	Finishing Ring
IG	IRMA Guard
CFW	Control Flow Weir
WD2	2" High Overflow Water Dam
WD3	3" high Overflow Water Dam
VSS	Vandal Secure strainer

Project name: \_\_\_\_\_  
 Contractor: \_\_\_\_\_  
 Gen Cont.: \_\_\_\_\_  
 Design Firm: \_\_\_\_\_

**Froet Industries LLC** 1741 Industrial Drive  
 Sterling Illinois 61081  
 ph. 815.626.7922 fx. 815.626.0702  
 www.froetindustries.com

Specifications and dimensions subject to change without notice