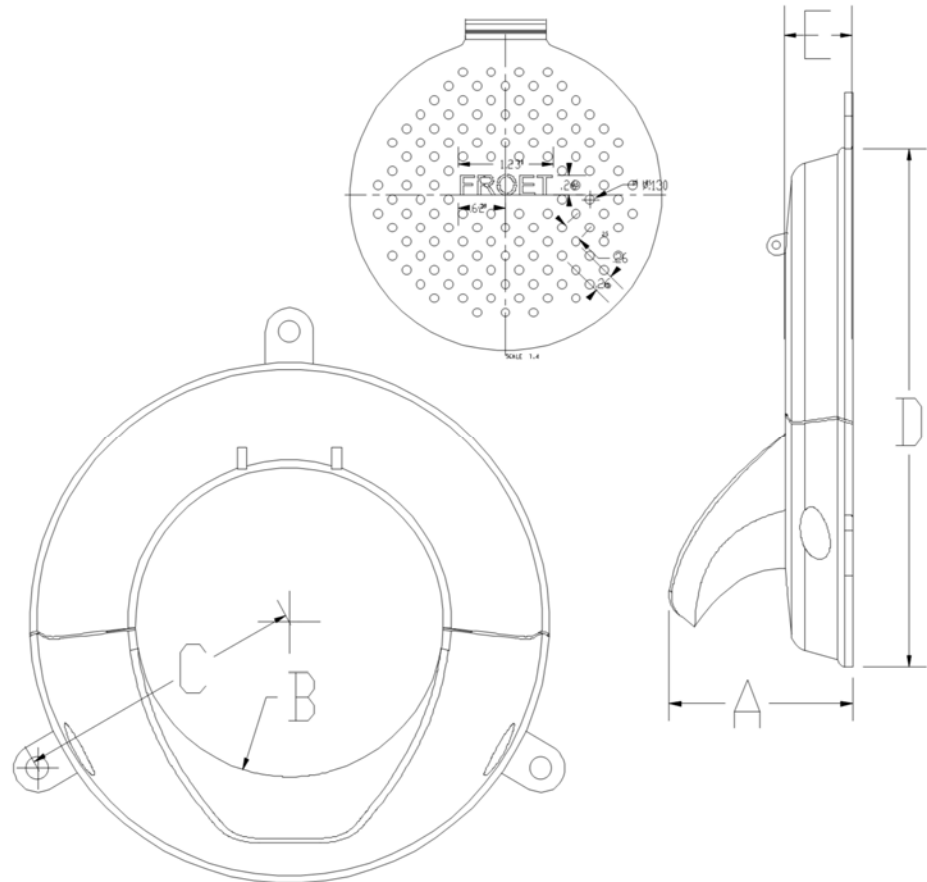


### Standard colors

Bone White	38/10070
Sandstone	38/15012
Almond	38/15003
Brick Red	38/30028
Redwood	38/30041
Interstate Blue	38/40025
Military Blue	38/40051
Ivy Green	38/50080
Hartford Green	38/50110
Aged Copper	38/60006
Medium bronze	38/60014
Dark Ano Bronze	38/60090
Sky grey	38/70048
Satin Grey	38/70049
Koko Brown	38/80018
Jet Black	38/80020

If custom color is desired there will be a quoted price for set up and color charge. We will need the code for the custom color and it must be available in powder. Custom color spouts will not be returnable



Options	
	Flapper
	color

Spout size	A	B	C	D	E
3"	2.5"	R1.5"	3.27	5.75	.875
4"	2.5"	R2"	3.77	6.75	.875
6"	2.5"	R3"	4.77	8.75	.875
8"	2.5"	R4"	12.63"	10.85	.875

The spout is a high corrosion resistant aluminum alloy. The flapper will be Aluminum and will be powder coated in the matching spout color. The flapper will be an option and will need to added to the spout if needed.

The spout comes with two different thickness of gaskets in all sizes but 6" which there are 3. The thickest gasket is for service weight cast iron. The middle thickness or thinnest if only two is for Heavy Weight cast iron or PVC. The third size or thinnest when there are three sizes with 6" only will be for the PVC pipe.

The pipe will need to be stubbed out or cut off at 3/4" the wall surface. The 3/4" will allow for gasket squish on the back of the spout.

Project name: \_\_\_\_\_

Contractor: \_\_\_\_\_

Gen Cont.: \_\_\_\_\_

Design Firm: \_\_\_\_\_

**Froet Industries LLC** 1741 Industrial Drive  
Sterling Illinois 61081  
ph. 815.626.7922 fx. 815.626.0702  
www.froetindustries.com

Specifications and dimensions subject to change without notice